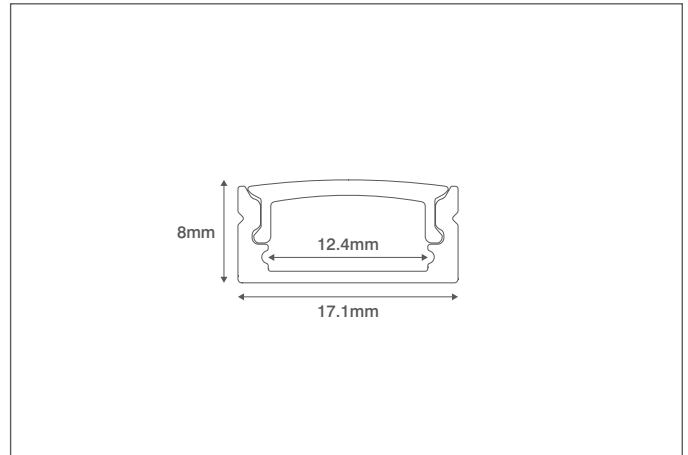


INCEPTOR® INTENSE

Technical Specification

Product Code: OVSSE004

Description: 2M Narrow Surface Mounted Aluminium Profile Opal Diffuser



General Information

Dimensions (mm)	2000 (L) x 17.1 (W) x 8.5 (D)
Materials	Body: Aluminium; Diffuser: Polycarbonate
Finish	Aluminium
Product Weight (Kg)	0.432
Ingress Protection	IP20
Fixings Supplies	2 x End Caps, 4 x Mounting Clips, 4 x Mounting Fixing Screws
Compatible LED Strip	7.2W/M & 14.4W/M IP20 White & RGBW 8-12mm
Warranty (Years)	3



Ovia Limited, Scolmore House, Mariner, Lichfield Road Industrial Estate,
Tamworth, Staffordshire, B79 7UL United Kingdom

T: +44 (0)1827 300640

E: sales@oviaUK.com | W: oviaUK.com

