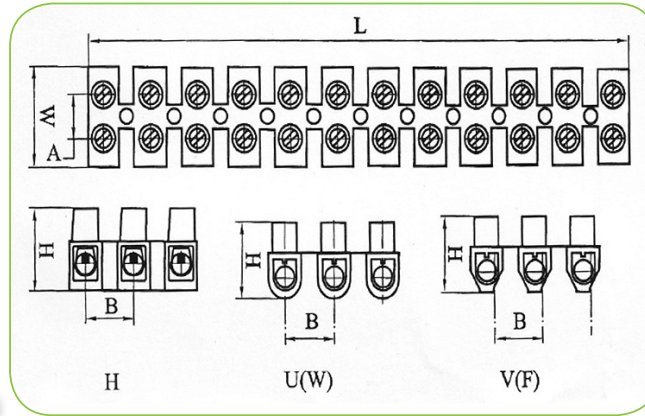


**NORSLO**

# Strip Connectors -12 Way, Polyethylene

**GREEN  
BROOK  
ELECTRICAL**

- + Working temperature 80°C
- + Conforms to BS EN60998-1 & BS EN60998-2



Part NO	A	B	Cable Dia mm <sup>2</sup>
<b>2SC</b>	<b>6</b>	<b>8</b>	<b>4</b>
<b>5SC</b>	<b>6.5</b>	<b>9.5</b>	<b>6</b>
<b>10SC</b>	<b>8.4</b>	<b>10.5</b>	<b>10</b>
<b>15SC</b>	<b>10.3</b>	<b>12</b>	<b>12</b>
<b>30SC</b>	<b>12</b>	<b>14.5</b>	<b>16</b>
<b>60SC</b>	<b>13.5</b>	<b>16.5</b>	<b>25</b>

	<b>2SC</b>	<b>5SC</b>	<b>10SC</b>	<b>15SC</b>	<b>30SC</b>	<b>60SC</b>
<b>Amps</b>	3A	5A	10A	15A	30A	60A
<b>Pack Qty</b>	10	10	10	10	10	10
<b>Barcode</b>	5012739 611469	5012739 611476	5012739 611483	5012739 611490	5012739 611506	5012739 611513
<b>Volts</b>	400V					
<b>Colour</b>	Clear					
<b>Product Weight</b>	16g	22g	32g	53g	72g	100g
<b>Dimensions L x W x H</b>	L 90.3 x W15.5 x H10.8mm	L 110.7 x W15.5 x H12.5mm	L 117.5 x W20 x H15mm	L 137.5 x W22 x H17mm	L 166.7 x W25.5 x H20mm	L 188 x W29 x H23.5mm
<b>Guarantee</b>	1 Year					
<b>Conforms To</b>	BS EN 60998-1 & BS EN 60998-2					

**GREEN  
BROOK  
ELECTRICAL**

Tel: 01279 772 772  
Fax: 01279 422 007  
Email: sales@greenbrook.co.uk  
www.greenbrook.co.uk

