

## Safety instructions of batteries and chargers

### Batteries

- Never attempt to open for any reason.
- Do not store in locations where the temperature may exceed 40°C.
- Charge only at ambient temperatures between 4°C and 40°C.
- Charge only using the charger provided with the tool.
- Do not cause short circuits. If connection is made between the positive (+) and negative (-) terminal directly or via accidental contact with metallic objects, the battery is short circuited and an intense current will flow causing heat generation which may lead to casing rupture or fire.
- Do not heat. If batteries are heated to above 100°C, sealing and insulating separators and other polymer components may be damaged resulting in electrolyte leakage and/or internal short circuiting leading to heat generation causing rupture or fire. Moreover do not dispose of the batteries in fire, explosion and/or intense burning may result.
- Under extreme conditions, battery leakage may occur. When you notice liquid on the battery, proceed as follows:
  - Carefully wipe the liquid off using a cloth. Avoid skin contact.
  - In case of skin or eye contact, follow the instructions below:
    - i. Immediately rinse with water. Neutralize with a mild acid such as lemon juice or vinegar.
    - ii. In case of eye contact, rinse abundantly with clean water for at least 10 minutes. Consult a physician.



Fire hazard! Avoid short-circuiting the contacts of a detached battery. Do not incinerate the battery.

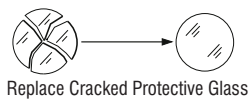
### Chargers

- Use the charger provided with the tool only to charge the battery
- Have defective cords replaced immediately.
- Do not expose to water.
- Do not open the charger.
- Do not probe the charger.
- The charger is intended for indoor use only.

## Care and Safety

We recommend cleaning with a soft dry cloth. Do not use solvents or abrasive cleaners as these could damage the finish. For your safety, always switch off the power supply before cleaning.

Always make sure the light is off and complete cool down before clean it.



Replace Cracked Protective Glass

Do not attempt to replace or change the diode lights! If the protective glass is cracked or broken, it must be replaced before the work light can be used again.

Instruction manual

# MAX RECHARGEABLE FLOODLIGHT

81557



Thank you for purchasing this light fitting. Please read the instructions carefully before use to ensure safe and satisfactory operation of this product. Please retain these instructions for future reference.

## Warning

To reduce the risk of injury, user must read and understand instruction manual.

Check the pack and make sure you have all the parts listed.

All electronic parts fixed already, any intention of opening work-light or changing work-light design is prohibitive unless a professional electrician.

Check the pack and make sure you have all the parts listed.

Children should not be permitted to use.

Your work light requires very little care and maintenance. Simply clean the lens regularly with a non-abrasive cleaner, we recommend the work light to be completely discharged every one month and fully recharged again. Only store with a fully charged battery and top-up the charge from time to time if stored for a long time (we recommend the work light to be completely discharged every three months and fully recharged again).

Store in a dry and frost-free place, the ambient temperature should not exceed 40°C.

Do not stare directly at the light beam. Never aim the beam at any person or an object other than the work piece.

Do not deliberately aim the beam at personnel and ensure that it is not directed towards the eye of a person for longer than 0.25s.

Waste electrical products should not be disposed of with household waste. Please recycle where facilities exist. Check with your local authority or retailer for recycling advice.


## Technical data

Charging Voltage:	AC 220-240V, 50/60Hz	Work Time:	Max.5.5hrs
Lithium Battery:	Li-ion 3.7V 5400mAh	Product Wattage:	5 Watts
Charging Output:	DC 5V, 1A	Product Lumen:	220-400Lumens
Charging Time:	About 4.5hrs	Kelvin:	6500K

 Conformity with all relevant EC Directive requirements.

 This product is Class 3.

 Waste electrical products should not be disposed of with household waste. Please recycle where facilities exist. Check with your Local Authority or local store for recycling advice.

 This product is not suitable for dimming.

 This product is rated at IP44.

## Major components



**1 Power switch**  
The power switch has four settings:  
1st press: 50% brightness  
2st press: 100% brightness  
3st press: Amber flashing  
4st press: Off



**2 Waterproof rubber plug**  
The waterproof rubber plug keeps the ports safe from damaging elements.  
To open, gently lift outward from the bottom.



**3 Charging power input**  
Connect the power cable into the charging port (micro USB) then connect into a USB point to start charging.



**4 Battery charge level indicator**  
Insert the micro USB, you will see the light on the edge of the front glass is in red when charging, and the red light will turn into green when the battery is fully charged.



**5 USB output charging port**  
The USB port is compatible with any outbound USB cable. To begin outbound charging, first plug the USB end of the cable into the port, and then plug the other end into your device.



**6 Rotating stand and handle**  
The built-in stand pivots away from the light, providing support at any angle.  
When fully rotated to the top, the stand can also be used as a handle to carry the light easily.

## Operation

### Charging the work light

- Open the **Waterproof rubber plug** and push the adapter plug into **Charging power input**
- Plug the adapter into a suitable outlet. Do not use an extension cord. The **Battery charge level indicator** will be light and turn red to show the battery is charging.
- When the battery is loaded, the **Battery charge level indicator** changed from red light to green light until the charger disconnect from the mains.

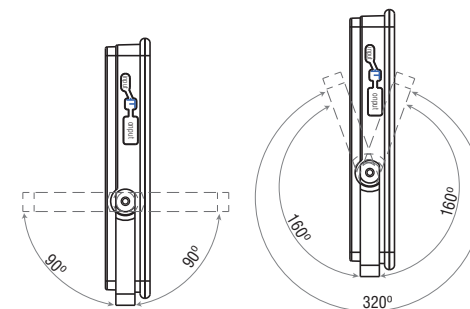
NOTE: Put the **Waterproof rubber plug** into **Charging power input** before unplug which to avoid water enter.

NOTE: The **Battery charge level indicator** will blink red that means it's batteries will soon run out and need to recharge.

NOTE: Don't turn the work light on while charging.

### Adjusting the Rotating stand and handle

- The **Rotating stand and handle** can be adjusted the angle by bracket secure screws so that meet various need for direction.
- To adjust **Rotating stand and handle**, loosen the side bracket secure screws. Adjust the **Rotating stand and handle** to desired position, and retighten screws.



### Power switch and lumen adjustment

- The work light is equipped with an **Power switch** with mode function locate on the back side of the work light.
- The LED work light's brightness is adjustable.  
With press **Power switch**: 1st press: 50% brightness; 2nd press: 100% brightness; 3rd press: Amber flashing; 4th press: OFF.  
Discharging time: About 2.5 hours for 100% brightness; About 4 hours for 50% brightness.