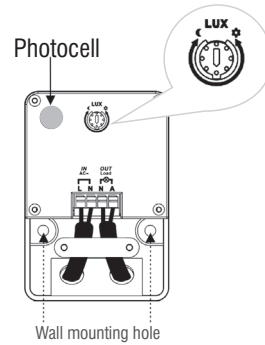


Photocell Adjustment

- Slide the LUX knob to position(moon) and switch on the power.
- When you test in daytime. You should cover a black opaque cloth on the product.
- When the cloth mantles the detection window of the photocell, the ambient light of the photocell is less than 10 LUX, the lamp will be on.
- When you take off this cloth, the lamp will be off automatically.
- When you slide the LUX knob to position sun, the lamp could be on in the ambient light less than 10LUX.

Note:

- In front of the photocell, it should be no obstruction affecting to accept natural light;
- In front of the photocell, it should be no swaying object.
- Don't install the photocell under the light or in the place where the light will be irradiated to the photocell.
- When lamp is on and the intensity of another light source reaches the light off LUX value, and this light lasts for less than one minute, the lamp will switch off.



Instruction manual

TWILIGHT DETECTOR

90979, 90980



Technical data

Supply Voltage: 240V~

Power Frequency: 50Hz

Rated Current: 15A

Ambient Light: <5-300Lux (adjustable)

Working Temperature: -20~ +45°C

Working Humidity: <93%RH



Conformity with all relevant EC Directive requirements.



The power supply is Double Insulated and does not require connection to an Earth circuit.



Waste electrical products should not be disposed of with household waste. Please recycle where facilities exist. Check with your Local Authority or local store for recycling advice.



This product is not suitable for dimming.



This product is rated at IP44.

Care and Safety

We recommend cleaning with a soft dry cloth. Do not use solvents or abrasive cleaners as these could damage the finish. For your safety, always switch off the power supply before changing lightbulbs, or cleaning.

Thank you for purchasing this light fitting. Please read the instructions carefully before use to ensure safe and satisfactory operation of this product. Please retain these instructions for future reference.

Warning



This product is double insulated and does not require connection to an Earth circuit.

Please read these instructions carefully before commencing any work.

This unit must be fitted by a competent and qualified electrician.

Install in accordance with the IEE Wiring regulations and current Building Regulations.

Check the pack and make sure you have all the parts listed.

To prevent electrocution switch off at the mains supply before installing or maintaining this fitting. Ensure other persons cannot restore the electrical supply without your knowledge.

If you are in any doubt, please consult a qualified electrician.

If replacing an existing fitting, make a careful note of the connections.

This unit should be connected to a fused circuit.

Waste electrical products should not be disposed of with household waste. Please recycle where facilities exist. Check with your local authority or retailer for recycling advice.

Layout

Avoid positioning near to trees or shrubs which may cause false triggering during inclement weather.

Avoid pointing at or positioning close to heat sources such as flues or heat extraction units, which may cause false triggering.

Avoid pointing at bright lights as unit will not function when you set Lux control level to dark.

Avoid locating near electromagnetic fields.

The mains supply cable must have a minimum cross section area of 1.0mm².

Cables must be protected using suitable conduit or plastic trunking.

Installation

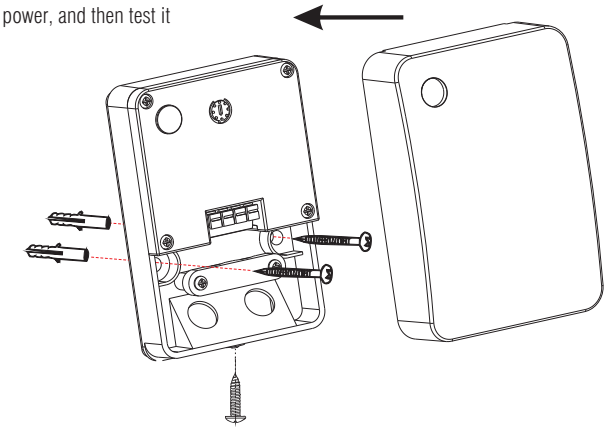
Existing fittings must be completely removed before installation of a new product. Before removing the existing fitting, carefully note the position of each set of wires.

Note that the switch is turned off before installation.

Ensure that the screws and cable entry points are sealed to maintain the IP rating of the product.

After deciding the layout of the light fittings ensure that the cables are long enough to connect to desired positions.

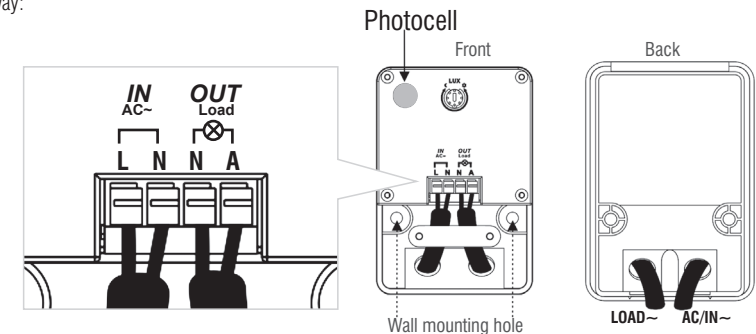
- Undo one screw at the bottom of the product to separate the rear panel from product. Keep screw in safe place for refitting later.
- Connect the wire with the product as per the connection wire diagram.
- According to the correct installation place, install the product with the enclosed inflated screws. Make sure the rear panel is correctly oriented.
- Install back the cover. Switch on the power, and then test it
- Wire as detailed below.



Wiring

This product is double insulated and must not be earthed. If there are any incoming earth cables, they must be joined together and well insulated with good quality insulation tape. This is to ensure earth continuity throughout your property.

Having correctly identified the wiring from your existing light fitting and connect to the connection block inside the product in the following way:



Check that...

You have correctly identified the wires
The connections are tight

No loose strands have been left out of the connection block
The cable clamp is fitted over the wires.