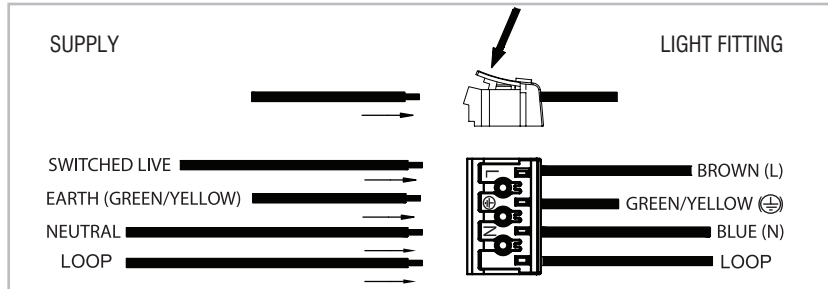


## Wiring

Having correctly identified the wiring from your existing light fitting, connect to the connection block inside the product in the following way:



## Check that...

- You have to correctly identified the wires.
- The connections are tight.
- No loose strands have been left out of the connection block.

## Technical data

Supply Voltage: 240 V~, 50 Hz

Bulb Type: 15W LED module (SMD) CCT, 3000K / 4000K / 6000K

The light source of this luminaire is not replaceable; when the light source reaches its end of life the whole luminaire shall be replaced.



Conformity with all relevant EC Directive requirements.



This product is Class 1, must be connected to earth.



Waste electrical products should not be disposed of with household waste. Please recycle where facilities exist. Check with your Local Authority or local store for recycling advice.



This product is not suitable for dimming.



This product is rated at IP44.



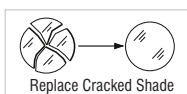
This product is rated at IK08.

## Care and Safety

We recommend cleaning with a soft dry cloth. Do not use solvents or abrasive cleaners as these could damage the finish.

Shade - Remove and wash in warm water or just use a damp cloth.

For your safety, always switch off the power supply before cleaning.



This bulb is protected by a shade. This part must be replaced immediately should the shade become cracked or damaged. This fitting must not be used without the shade in place.

Instruction manual

# Cobra CCT

94519, 94520



Thank you for purchasing this light fitting. Please read the instruction carefully before use to ensure safe and satisfactory operation of this product. Please retain these instruction for future reference.

## Warning

This is a Class 1 product and must be earthed.

Please read these instructions carefully before commencing any work.

This unit must be fitted by a competent and qualified electrician.

Install in accordance with the IEE Wiring regulations and current Building Regulations.

Check the pack and make sure you have all the parts listed.

To prevent electrocution switch off at the mains supply before installing or maintaining this fitting. Ensure other persons cannot restore the electrical supply without your knowledge.

This light fitting should be connected to a fused circuit.

If replacing an existing fitting, make a careful note of the connections.

Cables must be protected using suitable conduit or plastic trunking.

This system contains non-replaceable parts and cannot be serviced. If damage occurs the part should be scrapped.

Take care not to drill into any pipes or mains cables beneath the surface during mounting holes preparation.

This light fitting should be connected to a circuit with a 30mA RCD fitted.

The product must be mounted in the supplied housing. The product must not be installed into soil.

Waste electrical products should not be disposed of with household waste. Please recycle where facilities exist. Check with your local authority or retailer for recycling advice.

## Layout

Plan the desired layout of this fitting carefully, ensuring the cables will reach the distance between the junction box and the light fitting.

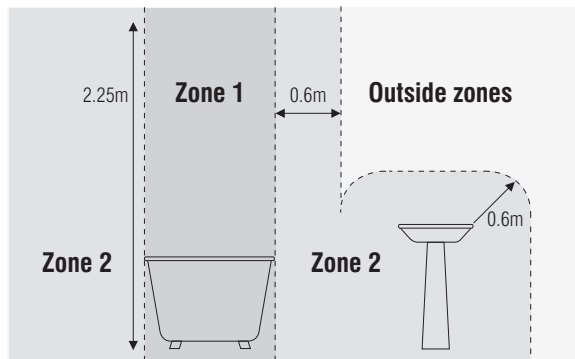
Avoid locating any cables in positions that would cause a hazard. Position cables and junction boxes (not supplied) away from areas where they may be at risk from being cut, trapped or damaged.

The mains supply cable must have a minimum cross section area of 1.0mm<sup>2</sup>.

This product has special protection against the ingress of moisture and is IP44 rated.

This product is suitable for use in Zone 2 and outside zones of a bathroom. Please see diagram.

If this unit is being fitted in a room containing a bath or shower, a 30mA RCD must be used - in accordance with IEE regulations.



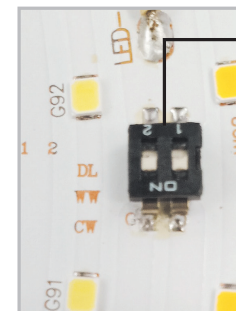
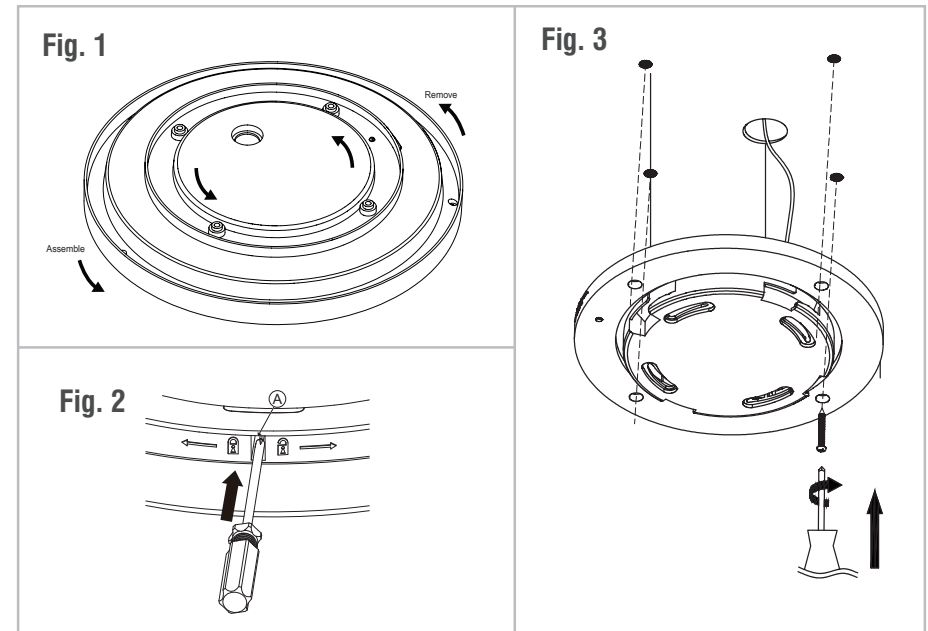
## Installation

Existing fittings must be completely removed before installation of a new product. Before removing the existing fitting, carefully note the position of each set of wires.

Note that the power needs to be isolated/switched off at the fuse board.

Ensure that the screws and cable entry points are sealed to maintain the IP rating of the product.

- See **Fig 1 & 2**. Insert a screwdriver or similar into recess "A" to depress locking mechanism. Once depressed, twist ceiling cover anti clockwise to remove.
- Using the ceiling cover as a template, mark and drill the fixing holes. Ensure the ceiling is capable of holding the weight of the product. Take care to avoid damaging any concealed wiring and pipes.
- Remove the top part of the ceiling cover and carefully pierce a small hole in the rubber grommet, allowing the cable to pass through. Wire as detailed below.
- Reattach the top part of the ceiling cover and fix the ceiling cover to the ceiling using the supplied fixings. Ensure there is a joist at the point of fixing to support the weight of the product. See **Fig. 3**.
- Twist the shade clockwise back onto the ceiling cover and lock in place.
- Replace fuse or circuit breaker and switch on. Your light is now ready for use.



### CCT Switch

1	2	
○	●	DW- 6000K
●	○	WW-3000K
●	●	CW- 4000K
● = ON	○ = OFF	

This product is color changing and can be either warm white (3000K) or cool white(4000K) or daylight white (6000K).

**Choose your preferred colour before installing by using the switch on the LED board.**