

External

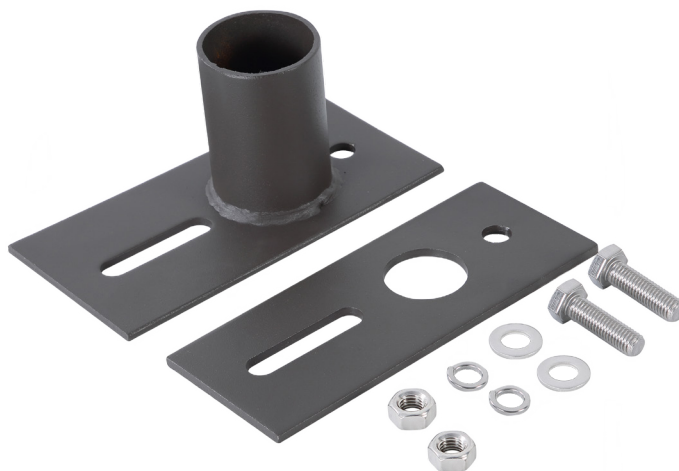
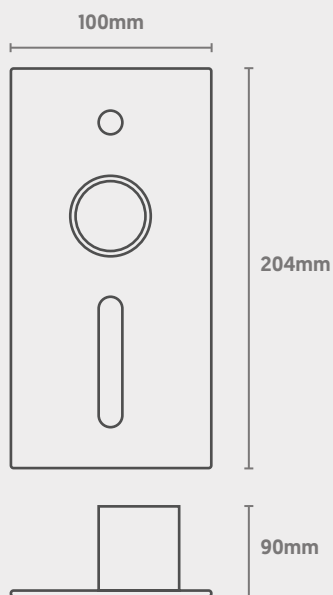
QStreet Pro

Wall Bracket

QVIS[®]
LED LIGHTING

CODE: QSTREET-WBRACKET

Dimensions



Technical

Materials	Rust-Resistant Aluminium
Finish	Electrostatic Plastic Finish
Spigot Compatibility	Suited for 60mm to 80mm Spigot
Dimensions	204mm x 100mm x 90mm
Weight	1.8kgs
Included in Box	2x Screws, Washers & Bolts