

HELIOS SLIM-LINE DOWNLIGHT

H65-20-230NW/EM

QVIS[®]

LIGHTING & SECURITY



3HR EMERGENCY 3W BATTERY	IP65	20W POWER	5YR WARRANTY 1YR ON-SITE
TP(a)	OPAL DIFFUSER	2300 LUMENS	

OSRAM

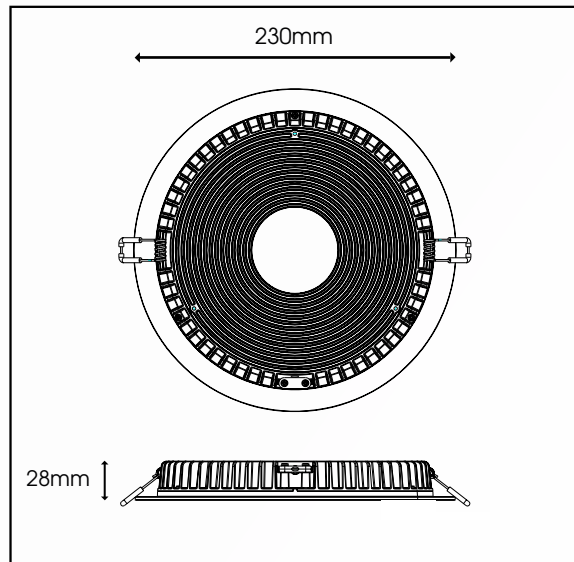
Driver as Standard

SAMSUNG

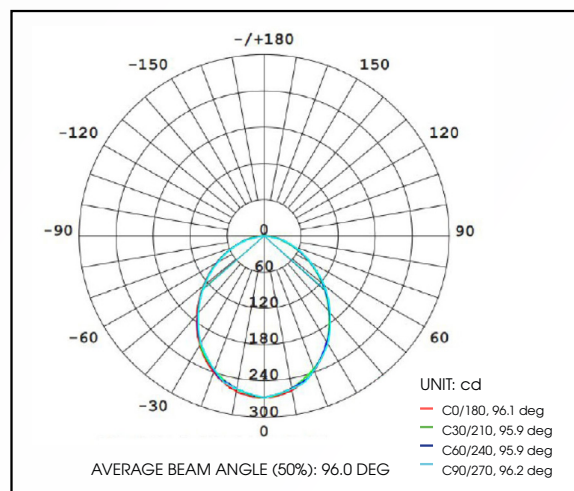
LED's inside

Specification	Helios 230
System Power	20W (Emergency 3W)
Driver Manufacturer	Osram
LED Chipset	Samsung
Diffuser	Opal
Colour Rendering Index	>85
Typical UGR	<19
LED Efficacy	115 Lm/cW
Lumen Output	2300Lm (Emergency 345Lm)
Fire Rating	TP(a)
Dimmable	Contact Office
Power Factor	0.9
IP Rating	IP65
Beam Spread	90°
Colour Type	Single
Colour Temperature	4000K
Housing Material	High Grade 6063 Aluminium
Cut Out	200mm
Operating Temperature	-20 to 50 °C
Input Voltage	AC 200-240V, 50-60Hz
Weight	0.9kg
Dimensions	230mm x 28mm
MacAdam Step	<3
Lifetime	50,000 hours, L70-B10 (Ta 25 °C)
Emergency Output	3 Hours (3W)*
CE Standards	EN60598-1, EN 60598 2-2, EN62493, EN55015, EN61547, EN61000-3-2, EN61000-3-3, EN62722-1, EN62722-2-1 and EN50581
CE Directives	LVD, EMC, ERP & RoHS

TECHNICAL DRAWINGS



LUMINOUS INTENSITY DISTRIBUTION DIAGRAM



* Warranty terms and conditions apply

*For emergency products with a rated service life of < 50,000 operating hours, QVIS offers a 5-year warranty period on the luminaire and 1-year warranty period on the battery pack

For further information on our products or terms and conditions visit our website www.qvisled.com or email: sales@qvislighting.com

MODULAR & RECESSED RANGE