

SCORCH TILT DIMMABLE

SFR-8W-TILT



LIGHTING & SECURITY



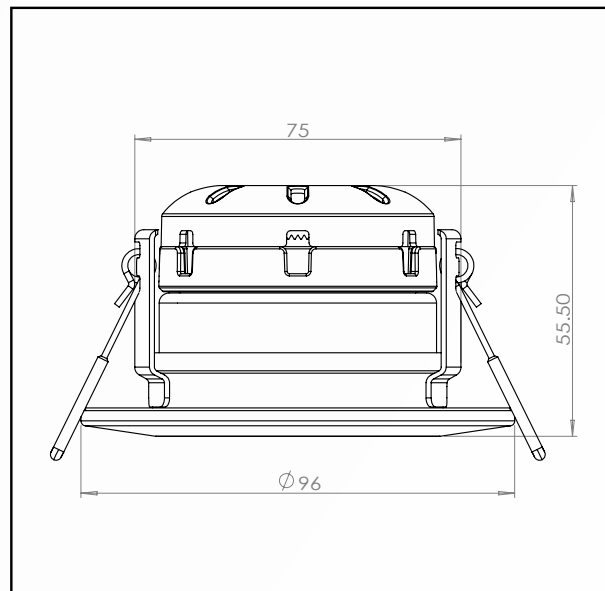
Q-DRIVE

Driver as Standard

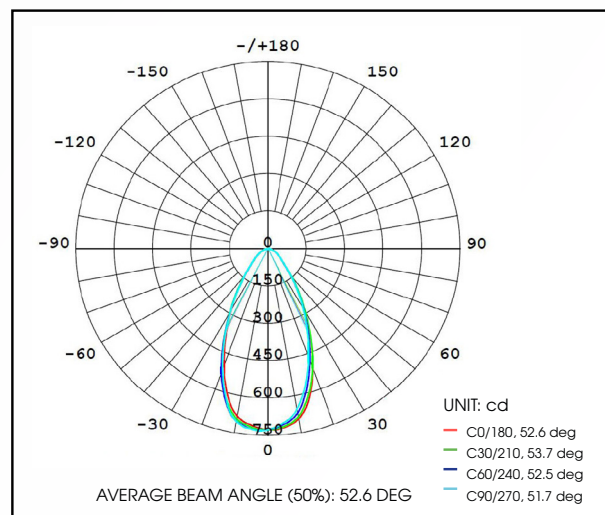
EPISTAR

LED's inside

TECHNICAL DRAWINGS



LUMINOUS INTENSITY DISTRIBUTION DIAGRAM



Specification	Scorch Fire Rated Downlight
System Power	8W
Driver Manufacturer	Q-Drive
LED Chipset	Epistar
Colour Rendering Index	>80
Lumen Output (Variable)	800Lm
LED Efficacy(Variable)	100 Lm/cW
Dimmable	Trailing Edge (20 fittings max)
Power Factor	>0.9
IP Rating	IP65
Beam Spread	40 °
Colour Temperature	3000K/4000K/6000K
Magnetic Bezels	Polished / Brushed / Chrome
Housing Material	Aluminium Heat Sync & Steel Fascia
Ambient Temperature	50 to 75 °C
Input Voltage	230VAC, 50-60Hz
Fire Rating	BS476-21
Lamp Type	SMD
Building Regs	Part L
Cut Out	80mm
Weight	0.4kg
Dimensions	∅96mm x 55.5mm
Lifetime	50,000 hours, L70-B10 (Ta 25 °C)
CE Standards	EN60598-1, EN 60598 2-2, EN62493, EN55015, EN61547, EN61000-3-2, EN61000-3-3, EN62722-1, EN62722-2-1 and EN50581
CE Directives	LVD, EMC, ERP & RoHS

*Warranty terms and conditions apply

MODULAR & RECESSED RANGE