

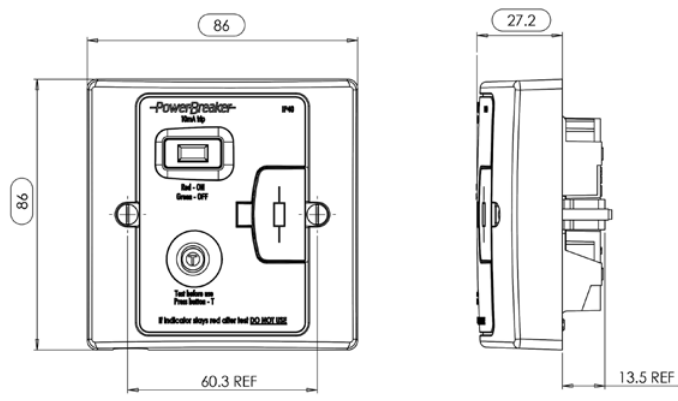
RCD Fused Connection Units - 10mA Passive

-PowerBreaker-

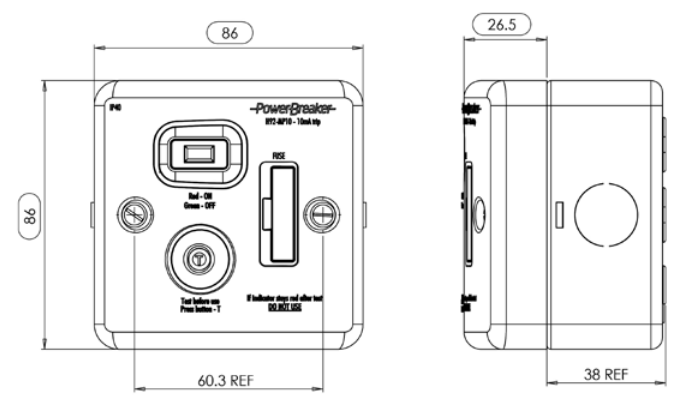
- + Mechanically latched (does not need resetting after a power loss)
- + Red & Green dual flag system to show power on/off
- + High intensity LED power on indicator
- + Cuts the power for added protection against electrocution
- + Fused for all fixed electrical appliances



**Type A RCD
BS 7288-2016
10mA**



H92-WP10



H92-MP10

	H92-WP10	H92-MP10
Product Finish	White	Metalclad
Barcode	5012739646935	5012739646942
Product Weight	195g	392g
Product Dimensions	86 x 86 x 27.2mm	86 x 86 x 26.5mm
Voltage	230V AC ~ 50Hz	
Max Operating Current	13A (13A Inductive)	
IP Rating	IP40	
Rated Trip Current	10mA	
Typical Trip Speed	Less than 20mS (typical)	
RCD Contact Break	Double Pole	
Terminal Capacity	6mm ² max	
Rated Short Circuit Breaking & Making Capacity	250A	
Rated Conditional Short-Circuit Current	1500A Power Factor Range .93 to .98	
Latching	Mechanical - No need to reset after Power Loss (Passive)	
Responsive To	Pulsating DC earth faults	
Main Housing Material	Urea	Steel
Cord Anchorage	Cable Dia: 4.6mm - 10.4mm Cable Size - 0.5mm ² to 1.5mm ²	
Guarantee	1 Year	
Conforms To	BS 7288-2016 / BS 1363-4:2016	

TECHNICAL DATA SHEET

GREEN BROOK ELECTRICAL
 Tel: 01279 772 772
 Fax: 01279 422 007
 Email: sales@greenbrook.co.uk
 www.greenbrook.co.uk