

# INSTRUCTION MANUAL

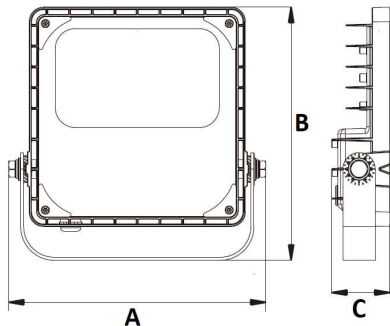
## Ava LED Asymmetric Flood Light (Version 1 2021)



PLEASE READ INSTRUCTION BEFORE COMMENCING INSTALLATION AND RETAIN FOR FUTURE REFERENCE. THESE PRODUCTS ARE FOR PROFESSIONAL USE ONLY AND MUST BE INSTALLED BY A QUALIFIED ELECTRICIAN.

### Product Specifications:

Model NO.	Product Dimensions(mm) (AxBxC)	Net Weight (Kg)	Lumens	Windage
EL150AF	318 x 343 x 65	3.7kg	22,500LM	0.10m2
EL300AF	426 x 444 x 76	7.5kg	45,000LM	0.18m2



Voltage:	100-240Vac ~ 50/60Hz
CCT:	5000K
CRI:	80
Temp range:	-30°C to 40°C
Beam angle:	60° x 120°
PF:	>0.93
IP:	66
IK:	8
Safety class:	Class I

### Installation Instructions and Advice



**WARNING!** The safety precautions must be strictly followed in order to avoid electrical shock, personal injury, and risk of fire. Following these precautions will also avoid damaging the product.

- Installation should be performed by a fully qualified electrician or technician and should be installed within the current IEE wiring regulations.
  - Isolate the voltage before working with electrics.
  - Remove the product from the packaging and inspect for any damage. If so report this to the retailer at once do not attempt to fix the product yourself.
  - **DO NOT** under any circumstances open the unit to rewire. Doing so will invalidate your warranty.
- If you wish to extend the cable already provided please use a suitable junction box to do so.
- If you are planning on using an external photocell or switch check the ratings on the switch before use.
  - You may have to change your MCB/RCD breaker type to compensate for higher inrush current upon start-up.
  - For outdoor applications and IP65 sealed junction box must be used to prevent any water damage to the cable.

### Assymetric Beam Angel

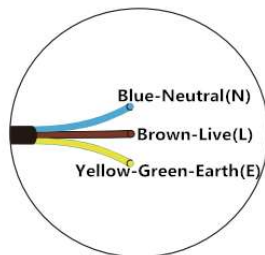
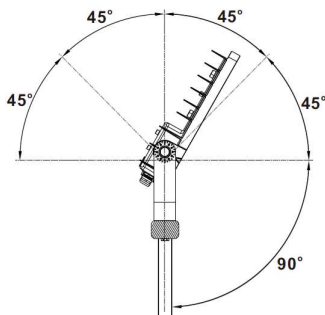
- This flood light features an asymmetric design to ensure the beam distribution is maximised whilst reducing light pollution. The flood light should point downwards like a street light to achieve this.

### Wall Installation

- Remove the bracket from the product. Use a 10-17mm Spanner to remove the bolt.
- Position the bracket on the wall mark out the relevant holes then drill.
- Using suitable wall fixings (not supplied) and screws secure the bracket to the wall.
- Align the flood and bracket holes together, aim at the intended area, fit and tighten the bolt.
- Turn on the power to activate the unit.

### Pole / T-bar Installation

- Please use suitable fixings for the Pole / T-Bar mounting.
- The Flood is designed for 270° rotation to ensure good support and minimise windage on pole mounts.
- Loosen the bolts on the side using a 17mm spanner, angle the flood in the correct position and tighten.
- Turn on the power to activate the unit.



UK  
CA  
CE  
RoHS  
IP66

