

LED Panel 3 Hour Emergency Pack LiFePO4

- Rated supply voltage and frequency: 220-240V~50/60Hz
- Emergency output power: 2W (10-80V DC)
- Battery charge time: 24 Hours
- Emergency discharge duration: 3 Hours
- Maintained or Non-maintained
- Polycarbonate housing: IP20 rated
- Complies with BSEN61347-2-7
- Charge LED indicator with 1x mounting clip included
- Ambient operating temperature: +5°C to +35°C
- Replacement battery type: **LiFePO4 6.4V 1.5Ah***



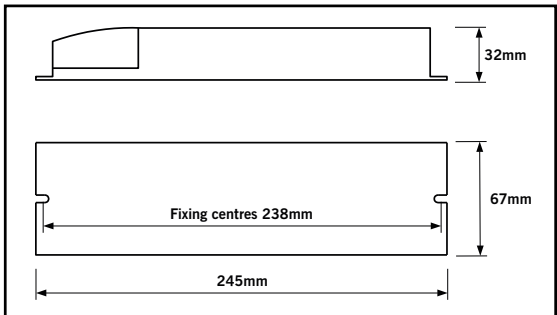
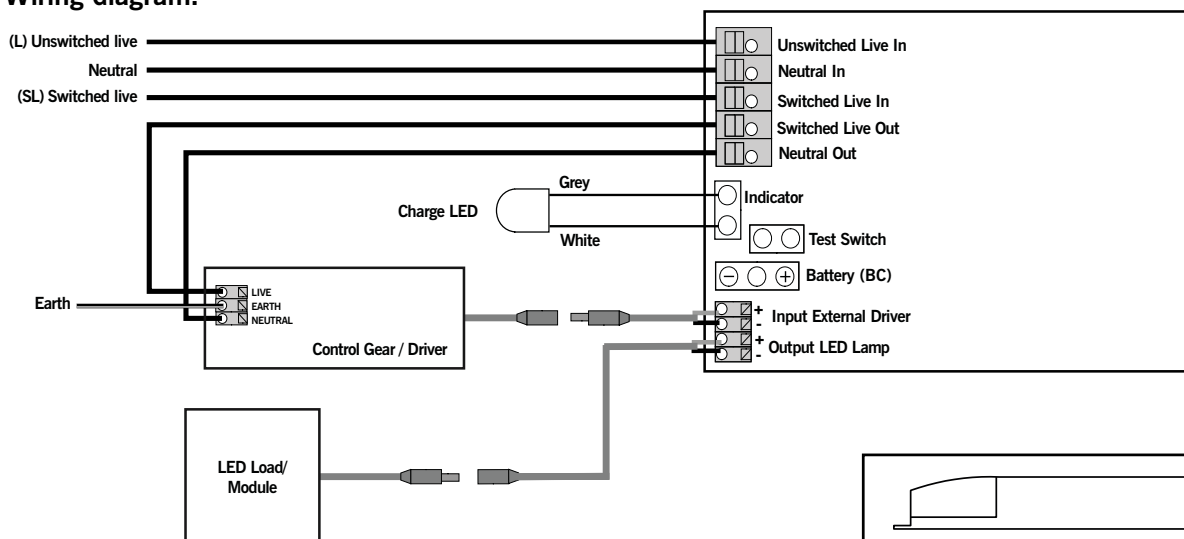
Pre-wired with Plug and Play leads for LED Panel and Driver connection.

5 YEAR
WARRANTY

IP20

Part No.	Measurement L x W x H	Compatible Products	
LXERP/80/EM3	245 x 67 x 32mm	LUXNA LED Panel Range	LXPANB: 20W, 24W, 26W, 28W, 30W LXPAN: 30W, 60W
Accessories			
LXLPF2-ELC-W		Spare charge LED indicator mounting clip - white	

Wiring diagram:



***Battery Information (Consumable parts) Type - LiFePO4 6.4V 1.5Ah**
 The batteries have a normal operating designed service life of 4 years and must be replaced in a timely manner to ensure that the integrity of the emergency lighting system is maintained. The battery cells actual service life can be shortened by several variable factors including (but not limited to): Type of installation environment, Room temperature, Number of charge/discharge cycles, power supply interruptions etc. The product should be tested and maintained regularly according to the details within the instruction manual. Should the battery cells fail to provide the minimum rated discharge duration of 3 hours at any time during the products service life, they must be replaced.



Email sales@luxna.co.uk



Web luxna-lighting.com