

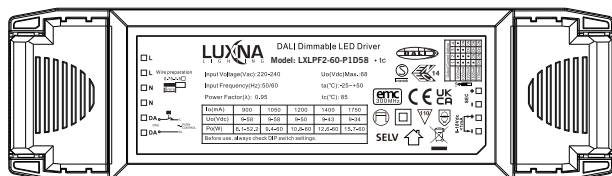
Model: LXLPF2-60-P1D58 / KL60C-PDiV



Model: LXLPF2-60-P1D58



Flicker-free DALI LED Driver 60W



EN



Instruction

M211009A0
LXDDP1D5860.V1

FEATURE

- Built-in DALI 2 protocol, no flicker in full dimming range;
- Secondary 0-10V (the darkest below 1V does not turn off) ;
- Primary Push dimming function; Push dimming has state memory function;
- Short circuit / over temperature / over voltage protection; reduce output current after over temperature;
- Standby power consumption $\leq 0.5W$;
- Life span > 50,000 hours.

CONNECTION

1. Start with setting the output current. The current can be easily configured by choosing the correct combination of the DIP switches(see fig F)
2. Connect the luminaires to the driver according to the wiring diagram.(see Fig A,B,or C)

PUSH DIMMING (see wiring diagram, Fig A)

- On/off: short push (100ms~1sec) on the switch
- Stepless dimming: long push(1sec~8secs) on the switch

0-10V DIMMING (see wiring diagram, Fig C)

- The driver supports any active 0-10V dimmer. Dimming curve, see Fig D.
- As DALI and push dimming is always active, if use the DALI dimming and push dimming first, users have to short 0-10V interface and power on driver 15 seconds at least to make 0-10V active before using 0-10V dimming.

DALI DIMMING (see wiring diagram, FigB)

- The driver built-in DALI interface. DALI Dimming is always active.

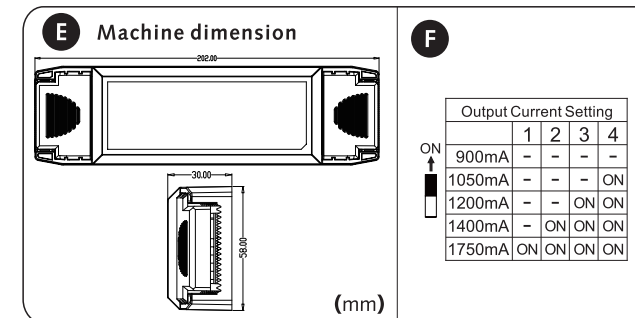
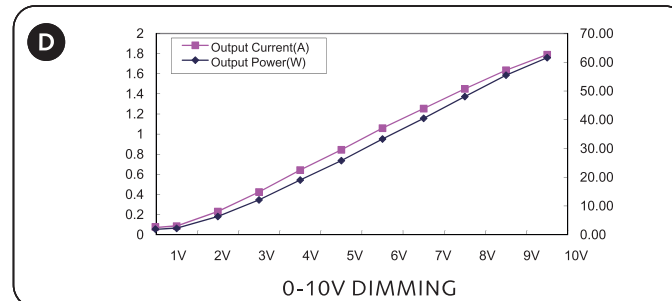
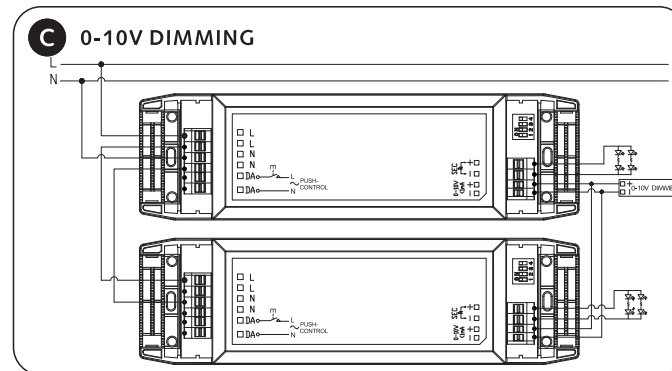
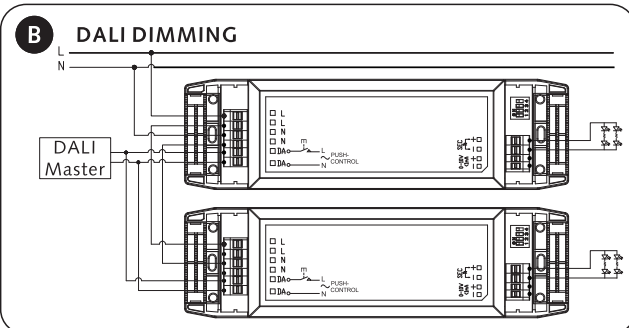
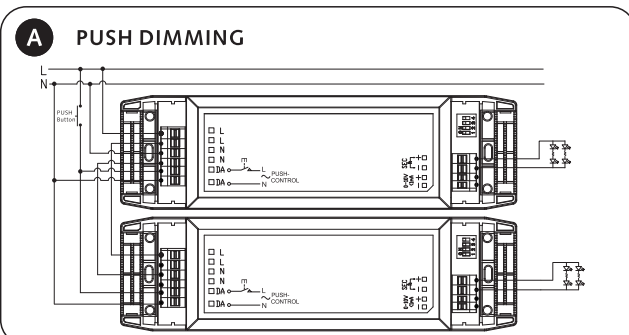
FACTORY SETTING

0-10V dimming, 1400mA

Warning: Please make sure the correct current is set before starting the driver!

SPECIFICATIONS

Model	KL60C-PDiV, 1x60W		
Rated voltage	220-240V AC, 50/60Hz		
Rated current	0.32A (max)		
Operating temperature	-25°C~50°C		
Dimming	DALI & PUSH & 1-10V(0-10V)		
Output voltage	900mA	9~58Vdc	8.1~52.5W;
	1050mA	9~58Vdc	9.4~60W;
	1200mA	9~50Vdc	10.8~60W;
	1400mA	9~43Vdc	12.6~60W;
	1750mA	9~34Vdc	15.7~60W
The wire length of DALI	300m Max		
Abnormal protection	Output short-circuit protection after restart		
Overheating protection	Overheating protection after restart		
EMC standard	EN55015, EN61000-3-2, EN61547, EN61000-3-3		
DALI standard	IEC62386-102, IEC62386-207		
Safety standard	EN61347-1 EN61347-2-13		
Certification	CE, ENEC14		
Dims	202*58*30mm		
Protection class	IP20		



FAQ

Question	Cause	Remedy
Lights will not illuminate	Incorrect wiring	Check wiring
	Driver had been turn off by push signal.	Long press push switch to recover the driver. Reset the driver by short 0-10V interface.
Lights out of synchronous	Press push switch rapidly.	Long press push button at least 15s for re-synchronization. Avoid to rapidly press push button.



LXDDP1D5860.V1
www.luxna-lighting.com