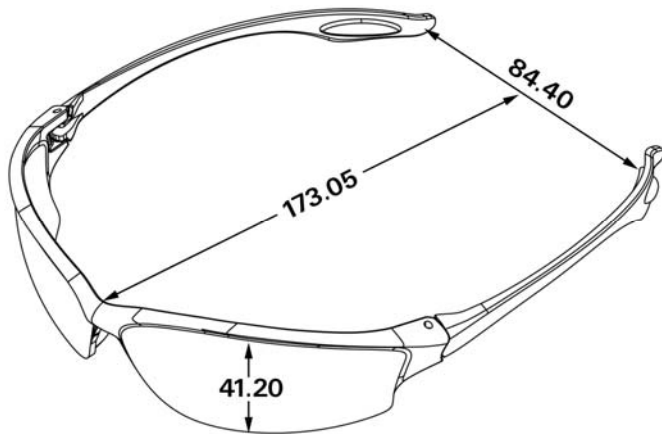


Specification Sheet For CEENLW210 Safety Glasses

| | | | |
|--------------|--|--------------|---|
| Item Number: | CEENLW210 | Series: | Law |
| Description: | Law 2 clear frame, clear lens | Features: | Soft temple inserts Soft secure gel nose pads Duramass® scratch-resistant coating Dielectric Meets or Exceeds ANSI Z87.1 Standard Meets CAN/CSA Z94.3-02 Standard Meets EN166: 2001 Standards. Meets ASNZS 1337.1 Standard |
| Benefits: | Offer additional comfort with grip For superior resistance to scratches Safe for Utility / Electrical work Meets the ANSI standards for high impact | Case Pack: | 120 pr. |
| | | Weight: | 0.038 kg. |
| | | Case Weight: | 4.59 kg. |



Materials

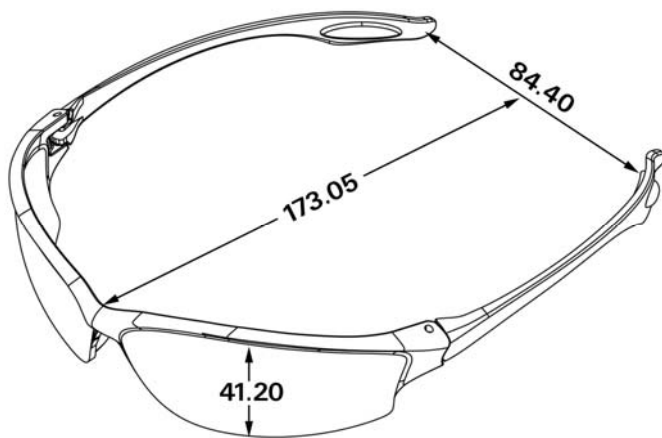
| Frames | | Lens | |
|-----------|---------|-----------|-----------------------------|
| Material: | Nylon | Material: | Polycarbonate |
| Temples: | Bayonet | Coatings: | Duramass® scratch-resistant |
| Color: | Clear | Colors: | See Below |
| Options: | | Options: | |

More Information

| | | | | |
|--------------------|---|---|-----------------|---|
| Available Lens: | Clear: | X | Clear Anti-Fog: | |
| | Grey: | X | Grey Anti-Fog: | |
| | Light Blue: | X | Brown Anti-Fog: | |
| | Amber: | X | Silver Mirror: | |
| | Indoor/Outdoor Clear Mirror: | | Rainbow Mirror: | X |
| | Filter 3.0 | | Filter 5.0 | |
| Country of Origin: | Taiwan | | | |
| Ratings: | Meets or Exceeds ANSI Z87.1 Safety Standards. Meets CAN/CSA Z94.3-02 Safety Standards. Meets EN166: 2001 Standards, ASNZS 1337.1 Standards. | | | |

Specification Sheet For CEENLW212 Safety Glasses

| | | | |
|--------------|--|--------------|---|
| Item Number: | CEENLW212 | Series: | Law |
| Description: | Law 2 clear frame, grey lens | Features: | Soft temple inserts Soft secure gel nose pads Duramass® scratch-resistant coating Dielectric Meets or Exceeds ANSI Z87.1 Standard Meets CAN/CSA Z94.3-02 Standard Meets EN166: 2001, ASNZS 1337.1 |
| Benefits: | Offer additional comfort with grip For superior resistance to scratches Safe for Utility / Electrical work Meets the ANSI standards for high impact | Case Pack: | 120 pr. |
| | | Weight: | 0.039 kg. |
| | | Case Weight: | 4.70 kg. |



Materials

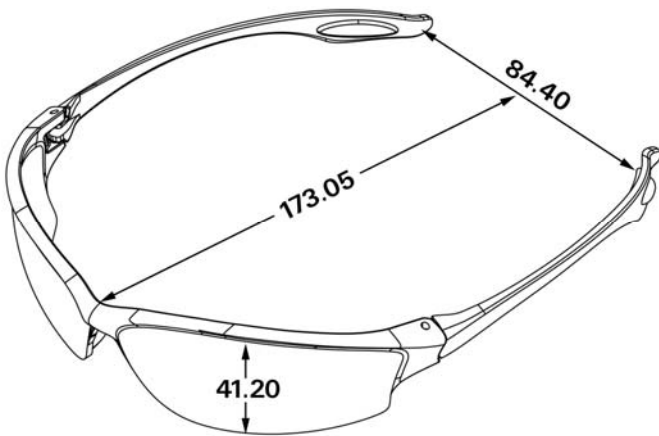
| Frames | | Lens | |
|-----------|---------|-----------|-----------------------------|
| Material: | Nylon | Material: | Polycarbonate |
| Temples: | Bayonet | Coatings: | Duramass® scratch-resistant |
| Color: | Clear | Colors: | See Below |
| Options: | | Options: | |

More Information

| | | | | |
|--------------------|--|---|-----------------|---|
| Available Lens: | Clear: | X | Clear Anti-Fog: | |
| | Grey: | X | Grey Anti-Fog: | |
| | Light Blue: | X | Brown Anti-Fog: | |
| | Amber: | X | Silver Mirror: | |
| | Indoor/Outdoor Clear Mirror: | | Rainbow Mirror: | X |
| | Filter 3.0 | | Filter 5.0 | |
| Country of Origin: | Taiwan | | | |
| Ratings: | Meets or Exceeds ANSI Z87.1 Safety Standards. Meets CAN/CSA Z94.3-02 Safety Standards. Meets EN166: 2001 Standards. Meets ASNZS 1337.1 Standards. | | | |

Specification Sheet For CEENLW213 Safety Glasses

| | | | |
|--------------|--|--------------|---|
| Item Number: | CEENLW213 | Series: | Law |
| Description: | Law 2 clear frame, Light Blue Lens | Features: | Soft temple inserts Soft secure gel nose pads Duramass® scratch-resistant coating Dielectric Meets or Exceeds ANSI Z87.1 Standard Meets CAN/CSA Z94.3-02 Standard Meets EN166: 2001, ASNZS 1337.1 |
| Benefits: | Offer additional comfort with grip For superior resistance to scratches Safe for Utility / Electrical work Meets the ANSI standards for high impact | Case Pack: | 120 pr. |
| | | Weight: | 0.039 kg. |
| | | Case Weight: | 4.64 kg. |



Materials

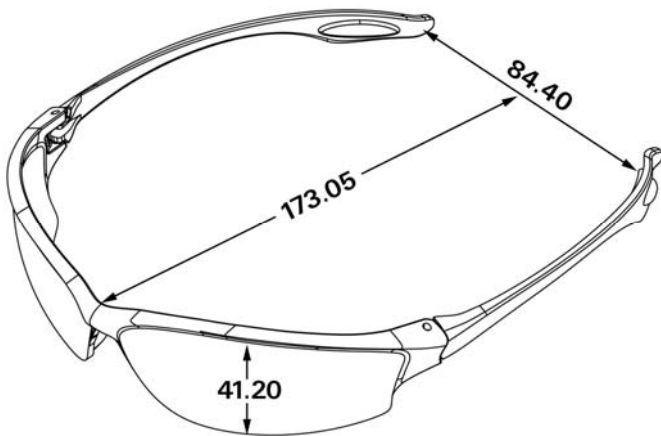
| Frames | | Lens | |
|-----------|---------|-----------|-----------------------------|
| Material: | Nylon | Material: | Polycarbonate |
| Temples: | Bayonet | Coatings: | Duramass® scratch-resistant |
| Color: | Clear | Colors: | See Below |
| Options: | | Options: | |

More Information

| | | | | |
|--------------------|---|---|-----------------|---|
| Available Lens: | Clear: | X | Clear Anti-Fog: | |
| | Grey: | X | Grey Anti-Fog: | |
| | Light Blue: | X | Brown Anti-Fog: | |
| | Amber: | X | Silver Mirror: | |
| | Indoor/Outdoor Clear Mirror: | | Rainbow Mirror: | X |
| | Filter 3.0 | | Filter 5.0 | |
| Country of Origin: | Taiwan | | | |
| Ratings: | Meets or Exceeds ANSI Z87.1 Safety Standards. Meets CAN/CSA Z94.3-02 Safety Standards. Meets EN166: 2001 Standards, ASNZS 1337.1 Standards. | | | |

Specification Sheet For CEENLW214 Safety Glasses

| | | | |
|--------------|--|--------------|---|
| Item Number: | CEENLW214 | Series: | Law |
| Description: | Law 2 clear frame, Amber Lens | Features: | Soft temple inserts Soft secure gel nose pads Duramass® scratch-resistant coating Dielectric Meets or Exceeds ANSI Z87.1 Standard Meets CAN/CSA Z94.3-02 Standard Meets EN166: 2001, ASNZS 1337.1 |
| Benefits: | Offer additional comfort with grip For superior resistance to scratches Safe for Utility / Electrical work Meets the ANSI standards for high impact | Case Pack: | 120 pr. |
| | | Weight: | 0.037 kg. |
| | | Case Weight: | 4.83 kg. |



Materials

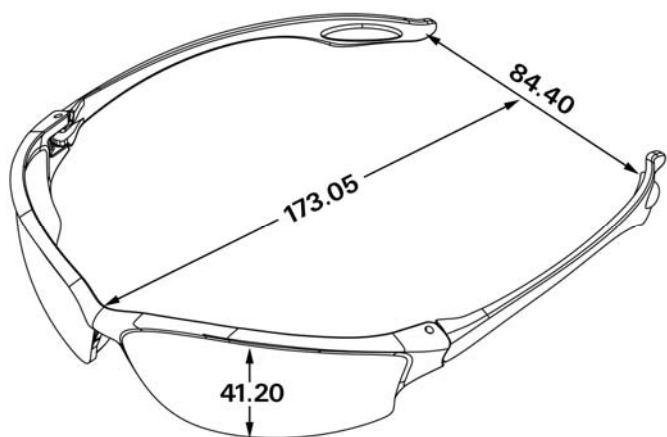
| Frames | | Lens | |
|-----------|---------|-----------|-----------------------------|
| Material: | Nylon | Material: | Polycarbonate |
| Temples: | Bayonet | Coatings: | Duramass® scratch-resistant |
| Color: | Clear | Colors: | See Below |
| Options: | | Options: | |

More Information

| | | | | |
|--------------------|---|---|-----------------|---|
| Available Lens: | Clear: | X | Clear Anti-Fog: | |
| | Grey: | X | Grey Anti-Fog: | |
| | Light Blue: | X | Brown Anti-Fog: | |
| | Amber: | X | Silver Mirror: | |
| | Indoor/Outdoor Clear Mirror: | | Rainbow Mirror: | X |
| | Filter 3.0 | | Filter 5.0 | |
| Country of Origin: | Taiwan | | | |
| Ratings: | Meets or Exceeds ANSI Z87.1 Safety Standards. Meets CAN/CSA Z94.3-02 Safety Standards. Meets EN166: 2001 Standards, ASNZS 1337.1 Standards. | | | |

Specification Sheet For CEENLW218 Safety Glasses

| | | | |
|--------------|--|--------------|---|
| Item Number: | CEENLW218 | Series: | Law |
| Description: | Law 2 clear frame, Rainbow Mirror Lens | Features: | Soft temple inserts Soft secure gel nose pads Duramass® scratch-resistant coating Dielectric Meets or Exceeds ANSI Z87.1 Standard Meets CAN/CSA Z94.3-02 Standard Meets EN166: 2001, ASNZS 1337.1 |
| Benefits: | Offer additional comfort with grip For superior resistance to scratches Safe for Utility / Electrical work Meets the ANSI standards for high impact | Case Pack: | 120 pr. |
| | | Weight: | 0.038 kg. |
| | | Case Weight: | 4.62 kg. |



Materials

| Frames | | Lens | |
|-----------|---------|-----------|-----------------------------|
| Material: | Nylon | Material: | Polycarbonate |
| Temples: | Bayonet | Coatings: | Duramass® scratch-resistant |
| Color: | Clear | Colors: | See Below |
| Options: | | Options: | |

More Information

| | | | | |
|--------------------|---|---|-----------------|---|
| Available Lens: | Clear: | X | Clear Anti-Fog: | |
| | Grey: | X | Grey Anti-Fog: | |
| | Light Blue: | X | Brown Anti-Fog: | |
| | Amber: | X | Silver Mirror: | |
| | Indoor/Outdoor Clear Mirror: | | Rainbow Mirror: | X |
| | Filter 3.0 | | Filter 5.0 | |
| Country of Origin: | Taiwan | | | |
| Ratings: | Meets or Exceeds ANSI Z87.1 Safety Standards. Meets CAN/CSA Z94.3-02 Safety Standards. Meets EN166: 2001 Standards, ASNZS 1337.1 Standards. | | | |