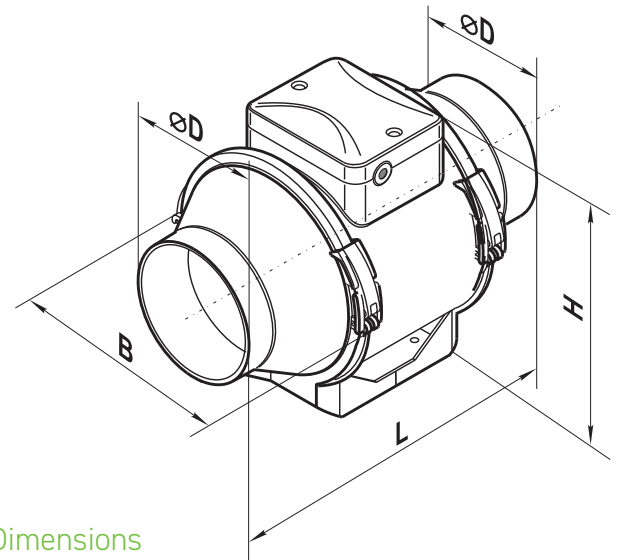
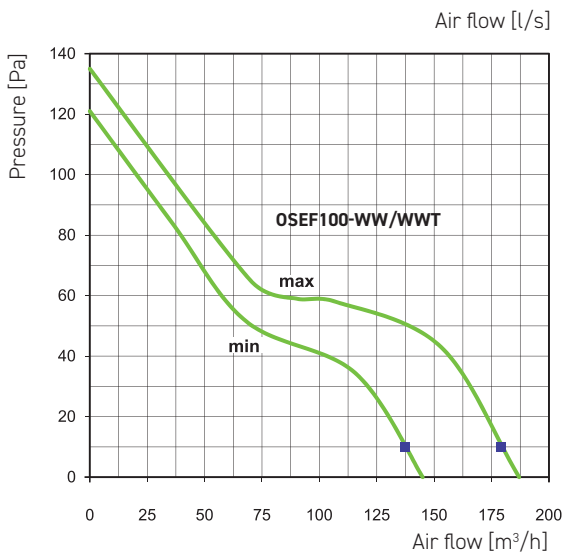


Benefits & Features

- /// Wide capabilities and high performance mixed flow fan
- /// Specifically designed for supply and exhaust ventilation of premises requiring high pressure, powerful air flow and low noise level.
- /// The fans are compatible with round air ducts $\varnothing 100\text{mm}$.
- /// The best solution for ventilation of bathrooms and kitchens and other humid premises as well for ventilation of flats, cottages, shops, cafes, etc.
- /// Casing is made of high-quality durable plastic.
- /// Removable impeller and motor block
- /// Maintenance is fast and easy.
- /// Maintenance does not require total disassembling.
- /// All the models may be equipped with a regulated timer with turn-off delay adjustable from 2 to 30 min.



Dimensions

	$\varnothing D$	B	H	L
OSEF100-WW/WWT	96	167	190	246

■ Sound power level, A-filter applied											Sound pressure level at 3 meters, A-filter applied LpA, 3 m [dBA]	Sound pressure level at 1 meters, A-filter applied LpA, 1 m [dBA]
		general	Octave frequency band, Hz									
	Hz		63	125	250	500	1000	2000	4000	8000		
Min speed												
L _{WA} to inlet	dBA	54	62	85	14	5	49	41	35	24	33	43
L _{WA} to outlet	dBA	53	5	27	50	44	84	03	5	23	32	42
L _{WA} to environment	dBA	48	11	23	44	40	43	36	31	21	27	37
Max speed												
L _{WA} to inlet	dBA	64	23	35	61	58	64	84	33	04	35	3
L _{WA} to outlet	dBA	63	22	34	60	57	5	48	42	29	42	52
L _{WA} to environment	dBA	56	72	95	35	15	04	33	82	63	64	6

Technical Data

Model	OSEF100-WW/WWT	
Speed	Min	Max
Voltage [V/50/60Hz]	1~230	
Power (W)	21	33
Current (A)	0.11	0.21
RPM (min ⁻¹)	2180	2385
Max Air Flow (m ³ /h (l/s))	145	187
Noise Level at 3m (dBA)	27	36
Transported Air Temperature	-25.....+60	
SEC Class	C	
Protection Rating	IPX4	