

Benefits & Features

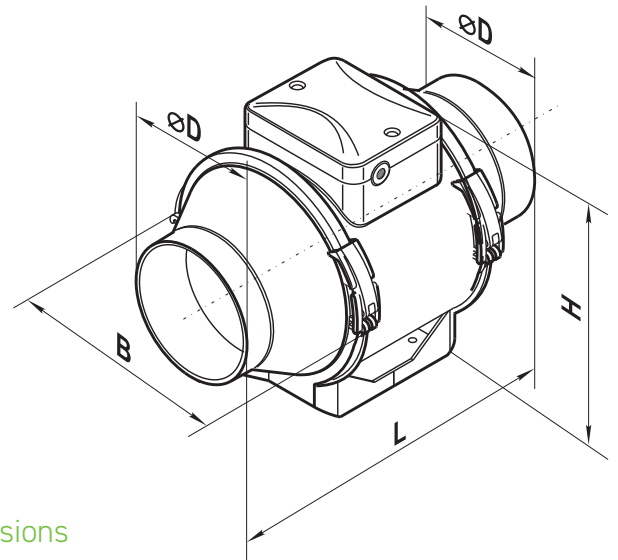
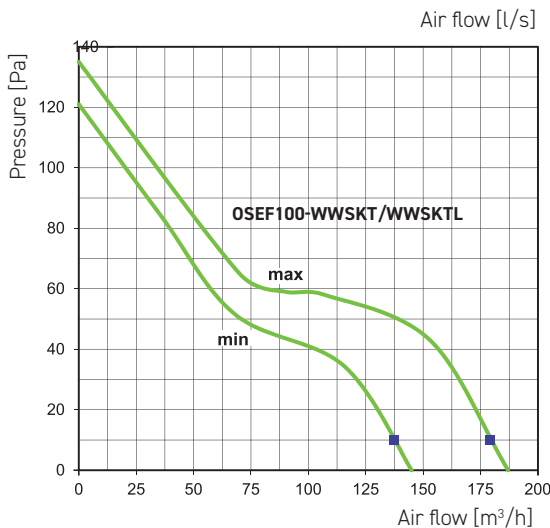
- High power mixed flow extractor fan with 100mm duct connections.
- Use for extracting air from toilets, bathrooms, kitchens, wet rooms and utility rooms.
- Equipped with built-in adjustable run on timer. Up to 187 m³/hour extract airflow rate with a high pressure mixed flow impeller.
- Long life 240V mains voltage 33W motor 33 dBA(a) sound level at 3 m distance.
- Supplied with 100mm ducting, external wall vent & clips.

OSEF100-WWSFKTL

Supplied with combined ceiling diffuser & 4.6k LED light: 4000k MR16 fitting.



combined ceiling diffuser & 4.6k LED light



Dimensions

	ØD	B	H	L
OSEF100-WWSKT/WWSKTL	96	167	190	246

■ Sound Power Level - A filter Applied											Sound pressure level at 3 meters, A-filter applied LpA, 3 m [dBA]	Sound pressure level at 1 meters, A-filter applied LpA, 1 m [dBA]
		Octave frequency band, Hz										
		general										
		63	125	250	500	1000	2000	4000	8000			
	Hz											
Min speed												
L _{WA} to inlet	dBA	54	62	85	14	5	49	41	35	24	33	43
L _{WA} to outlet	dBA	53	5	27	50	44	84	03	5	23	32	42
L _{WA} to environment	dBA	48	11	23	44	40	43	36	31	21	27	37
Max speed												
L _{WA} to inlet	dBA	64	23	35	61	58	64	84	33	04	35	3
L _{WA} to outlet	dBA	63	22	34	60	57	5	48	42	29	42	52
L _{WA} to environment	dBA	56	72	95	35	15	04	33	82	63	64	6

Technical Data

Model	OSEF100-WWSKT/WWSKTL	
Speed	Min	Max
Voltage [V/50/60Hz]	1-230	
Power (W)	21	33
Current (A)	0.11	0.21
RPM (min ⁻¹)	2180	2385
Max Air Flow (m ³ /h (l/s))	145	187
Noise Level at 3m (dBA)	27	36
Transported Air Temperature	-25.....+60	
SEC Class	C	
Protection Rating	IPX4	