

Modern low-profile design downlight, energy saving LED with 3CCT selector switch, TP(a) opal diffuser, IP44 white

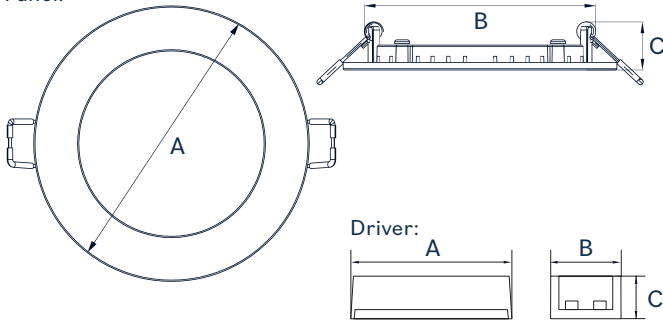
### Technical Specification:

Primary Materials	Aluminium, Polycarbonate
Remote Driver	Non Dimmable
Luminous Efficacy	100 lm/W
Typical UGR	<25
Colour Temperature	3000K, 4000K, 6000K Switchable
Colour Rendering Index	Ra >80
Ingress Protection	IP44 (Front), IP20 (Back)
Fire Rating	TP(a)
Beam Angle	100°
Power factor	>0.5
Impact Resistance	IK02
Safety Class rating	Class II
Operating Temperature	-10°C to +45°C
LED Lifetime	30,000h L70/B50 (Ta25°C)
Input Voltage & Frequency	AC220-240V 50/60Hz
Light Source Energy Efficiency	Class E
Warranty*	3 Years

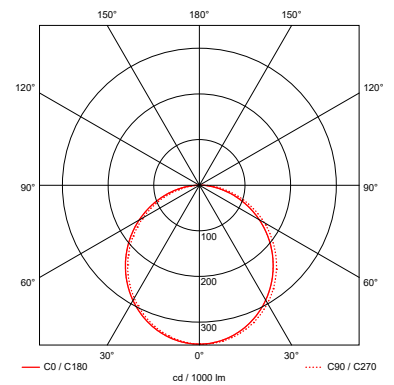


### Dimensions:

Panel:



### Light Distribution Curve:



### Product Range Data:

Part No.	Power	Lumen Output	Colour Temperature	Dimensions A x B x C	Cut Out	TP Fire Rating	IP Rating Front	IP Rating Back	Ra	Weight
LXPLR6/CCT3	6W	600Lm	3000K/4000K/6000K	120 x 95 x 22mm	100mm	TP(a)	IP44	IP20	>80	295g
LXPLR9/CCT3	9W	900Lm	3000K/4000K/6000K	120 x 95 x 22mm	100mm	TP(a)	IP44	IP20	>80	295g
LXPLR12/CCT3	12W	1200Lm	3000K/4000K/6000K	170 x 145 x 22mm	150mm	TP(a)	IP44	IP20	>80	385g
LXPLR18/CCT3	18W	1800Lm	3000K/4000K/6000K	225 x 195 x 22mm	200mm	TP(a)	IP44	IP20	>80	580g
LXPLR24/CCT3	24W	2400Lm	3000K/4000K/6000K	225 x 195 x 22mm	200mm	TP(a)	IP44	IP20	>80	580g

### Dimmable Drivers (Triac):

Part No.	Power	Compatible with	Dimensions A x B x C	Weight
LXPLR6DD	6W	LXPLR6/CCT3	125 x 38 x 30mm	75g
LXPLR9DD	9W	LXPLR9/CCT3	125 x 38 x 30mm	75g
LXPLR12DD	12W	LXPLR12/CCT3	125 x 38 x 30mm	75g
LXPLR18DD	18W	LXPLR18/CCT3	125 x 38 x 30mm	86g
LXPLR24DD	24W	LXPLR24/CCT3	125 x 38 x 30mm	86g

### Accessories:

Part No.	Description
LXERP/55/EM3	3Hr Emergency Pack

\*Warranty terms and conditions apply

Product specifications and values may change due to developments and improvements in lighting technology. International standards set the tolerance in colour temperature, lumen output and connected power load at ±10%. The data values apply to an ambient temperature of +25°C. Specification details are subject to change without prior notification. E&OE. LXPLRV1.05.23