

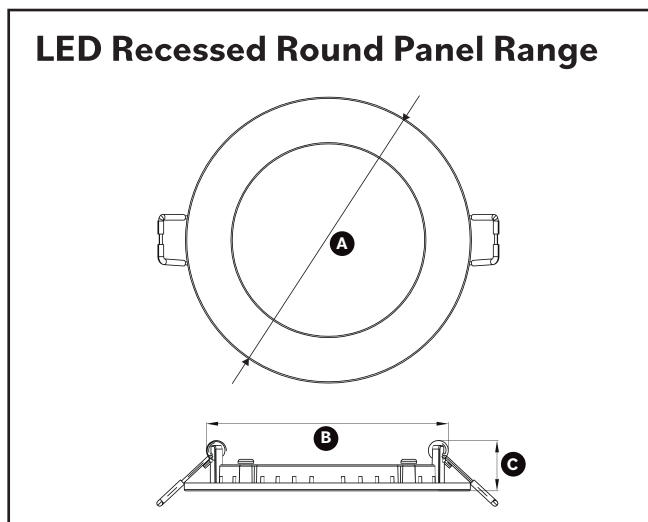
LED Recessed Round Panel Light Installation Instructions



Please read these instructions carefully before installation
Leave a copy for the user/maintenance engineer for future reference

Important Safety Information

- It is recommended that this fitting is installed, inspected and maintained by a qualified Electrician.
- Installation should be carried out in accordance with the latest edition of the IET Wiring Regulations (BS 7671) and the latest Building Regulations. If in doubt, consult a qualified electrician.
- These products are designed for connection to a 220-240V~50/60Hz mains supply.
- Before commencing any installation or maintenance work, ensure that the electricity supply is disconnected / isolated.
- Ensure that all electrical connections are tight with no loose strands including factory made connections.
- Please note the IP rating of this luminaire when deciding the location for installation.
- This product is supplied with a non-dimmable driver as standard.
- This luminaire is suitable for indoor use only.
- Do not cover this luminaire or driver with insulation matting or other similar materials. Ensure that there is a minimum of 75mm clearance around the product to allow sufficient air circulation.
- This is a class II construction luminaire, no earth required.
- Suitable for use in ambient room temperatures of -10°C to +45°C.
- MCBs may require to be uprated to allow for increased initial inrush current.
- Do not carry out any insulation resistance tests with the luminaire connected to the circuit.
- This product contains a light source of energy efficiency class E.
- The Light Source (LED only) and control Gear contained in this luminaire shall only be replaced by the manufacturer or his service agent or similar qualified professional person.



Dimmable Drivers

- Triac dimming - replace the standard driver with a dimmable driver, ensure that the correct wattage is selected
- Suitable for dimming using most trailing / leading edge type dimmers.

Part No.	Description	Wattage	Measurement A x B x C
LXPLR6DD	Use with LXPLR6/CCT3	6W	125 x 38 x 30mm
LXPLR9DD	Use with LXPLR9/CCT3	9W	125 x 38 x 30mm
LXPLR12DD	Use with LXPLR12/CCT3	12W	125 x 38 x 30mm
LXPLR18DD	Use with LXPLR18/CCT3	18W	125 x 38 x 30mm
LXPLR24DD	Use with LXPLR24/CCT3	24W	125 x 38 x 30mm
Dimming	Refer to dimmer manufacturers guidelines regarding suitability and loadings		
Emergency	Remote 3hr Emergency Pack - Available on request		

Technical Specifications

Part No.	Description	Wattage	TP Fire Rating	Measurement A x B x C	Lumen Output	IP Rating Front	IP Rating Back	Ra	Class Rating	Colour Temperature
LXPLR6/CCT3	LED Round Panel Light	6W	TP(a)	120 x 100 x 22mm	600Lm	IP44	IP20	> 80	Class II	WW / NW / CW
LXPLR9/CCT3	LED Round Panel Light	9W	TP(a)	120 x 100 x 22mm	900Lm	IP44	IP20	> 80	Class II	WW / NW / CW
LXPLR12/CCT3	LED Round Panel Light	12W	TP(a)	170 x 150 x 22mm	1200Lm	IP44	IP20	> 80	Class II	WW / NW / CW
LXPLR18/CCT3	LED Round Panel Light	18W	TP(a)	225 x 200 x 22mm	1800Lm	IP44	IP20	> 80	Class II	WW / NW / CW
LXPLR24/CCT3	LED Round Panel Light	24W	TP(a)	225 x 200 x 22mm	2400Lm	IP44	IP20	> 80	Class II	WW / NW / CW

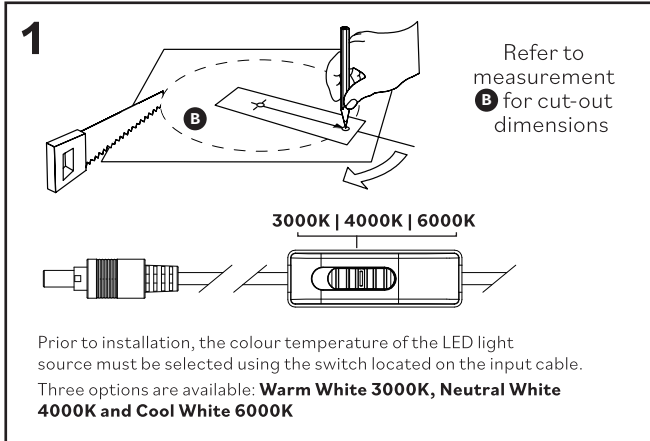
Colour Temperature: WW 3000K, NW 4000K, CW 6000K

Important Installation Information

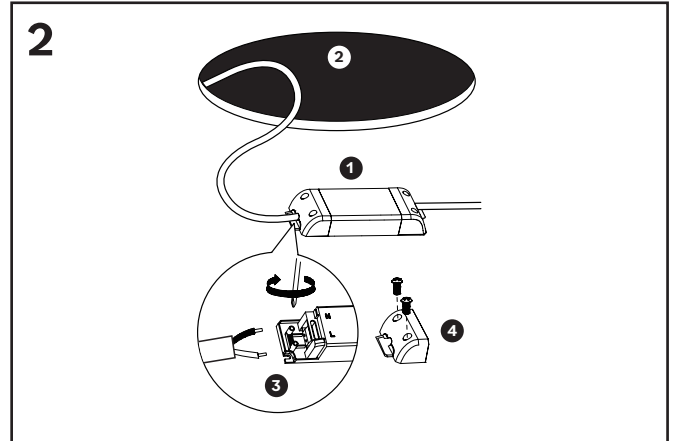
Always switch off the mains power supply before installation or servicing.

Select a suitable mounting position and check that the site of the installation can support the weight of the product. Do not cover the rear of the panel housing or the driver and ensure that there is always adequate free air ventilation around the product.

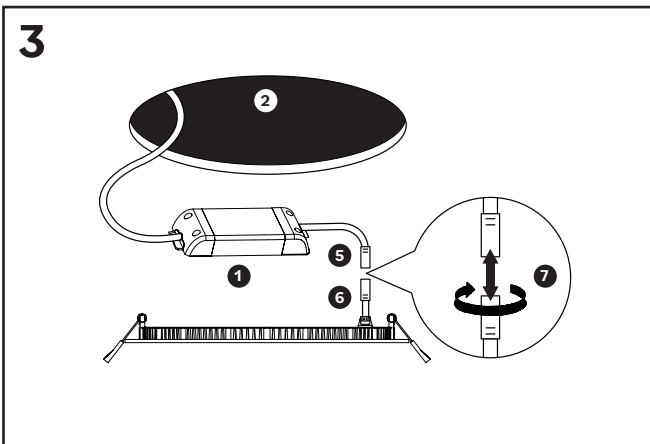
Ensure that the mounting area is clean and free from any obstructions. The installation must not infringe on gas/water pipes or any other electrical cables or mechanical services which may be hidden behind the ceiling.



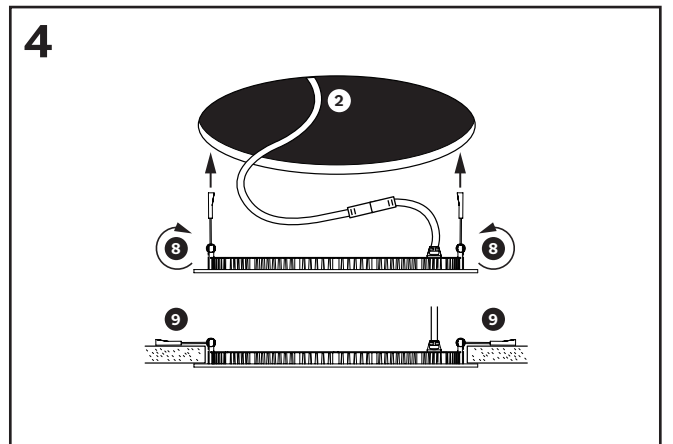
Decide the mounting position and accurately cut out the mounting hole in the ceiling. Do not exceed the relevant cut out dimensions and ensure that each luminaire is spaced adequately to provide clearance from any joists, beams or cables within the ceiling void.



Locate the LED driver 1 which is supplied with the luminaire into the open ceiling void 2. Connect the mains supply cable to the LIVE and NEUTRAL input terminals 3 and replace the terminal cover cap 4. Ensure that the correct polarity is observed.



Connect the plug lead 5 which is pre-wired into the output terminals of the LED driver 1 to the lead which is attached to the luminaire 6. Rotate the two plugs 90 degrees to ensure a secure connection 7.



With the spring clips held in the upward position 8, insert the luminaire through the cut out hole and into the ceiling void 2. Take care not to trap any loose cables. The spring clips will locate onto the top of the ceiling surface to provide a secure installation 9. Ensure that the luminaire is fitted centrally to the cut out mounting hole.

Restore the mains power supply, switch on and test for satisfactory operation.

Dimmable drivers and Remote Emergency pack options are also available to suit the installation requirements.

Important - Do not place the LED driver or the remote emergency pack directly onto the rear of the luminaire

Warranty

The 3 year standard product warranty against any defects in materials or workmanship commences from the original date of purchase. Should this product fail during the warranty period it will be repaired or replaced with the same or equivalent product free of charge, subject to providing the original receipt/invoice or proof of the original date of purchase and return of the faulty unit. If in our sole discretion, we are unable to repair or replace a defective product, we will refund the purchase price of the product. The warranty is invalid if in our judgment the product fails due to incorrect installation not conforming to our product instructions or installation within an improper working environment. The warranty will not apply if the product fails due to damage in storage, shipment, accident or misuse. Modification to the product in any way or removal of the batch number will void the warranty. Luxna Lighting does not accept responsibility for any installation, labour or travel costs which may be associated with the replacement or return of any faulty products. Our maximum liability under the terms of this warranty is limited to the purchase price of the product. Your statutory rights are not affected. Luxna Lighting reserves the right to alter product specifications without prior notification. Terms and conditions are also subject to change without prior notice.