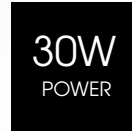


Q-FLOOD RESIDENTIAL TRI-COLOUR

QFLOOD-30TC

QVIS[®]

LIGHTING & SECURITY



Q-DRIVE

LUMILEDS

Driver as Standard

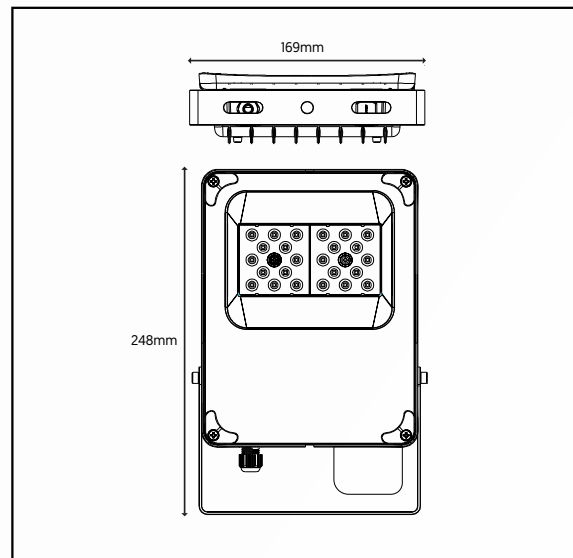
LED's inside

EXTERNAL RANGE

Specification	QFlood
System Power	30W
Driver Manufacturer	Q-Drive
LED Chipset	Lumileds
Colour Rendering Index	>80
Lumen Output	3900Lm
LED Efficacy	130 Lm/cW
Beam Angle	120°
Power Factor	>0.93
IP Rating	IP66
IK Rating	IK08
Total Harmonic Distribution	<15%
Colour Temperature	3000K/4000K/6000K
Housing Material	Aluminium
Cable Flex	1m
Input Voltage	AC100-277V, 50/60Hz
Operating Temperature	-25 to 45 °C
Weight	1.2kg
Dimensions	169mm x 248mm x 51mm
MacAdam Step	<3
Lifetime	50,000 hours, L70-B10 (Ta 25 °C)
CE Standards	EN60598-1, EN 60598 2-5, EN62493, EN55015, EN61547, EN61000-3-2, EN61000-3-3, EN62722-1, EN62722-2-1 and EN50581
CE Directives	LVD, EMC, ERP & RoHS

* Warranty terms and conditions apply

TECHNICAL DRAWINGS



LUMINOUS INTENSITY DISTRIBUTION DIAGRAM

