

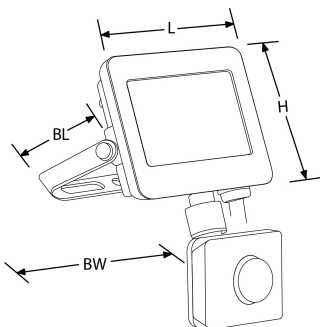


**Product Description:** Vela<sup>™</sup>PIR 10W Adjustable IP65 Driverless Floodlight

The driverless range of VelaPIR<sup>™</sup> floodlights comes complete with an ultra slim profile and high performance. Delivering 95lm/W and with the product being salt spray tested, it offers a solution for coastal applications.

SKU Code	Wattage	Colour	Lumens	Lumens/Watt	Beam Angle	Finish Colour	SKU Type
EN-FLV10P/40	10	4000	950	95	110	Black	Non Dimmable

**Line Drawing**



**Polar Curve**

**Colour**



Black

## Feature & Benefits

- Aluminium housing for excellent heat dissipation
- Floodlight and PIR sensor IP65 rated
- Pre-wired with 800mm of cable
- 3 Year Warranty
- Tempered frosted glass
- IK05 rated

## Product Specs:

Input Voltage	220~240V AC	Input Frequency	50/60HZ
Power Factor	0.7	IP Rating	IP44
Lifetime L70 (hrs)	30000hrs	IK Rating	IK05
Width (mm)	90	Weight (Kg)	0.315
Height (mm)	70	Product Type	Floodlights
Operating Temp. (Min) °C	-35°C	Operating Temp. (Max) °C	45°C

## Compliance & Approvals:



## Warranty:

This product has a warranty period of 3 Years. Warranties may be available on certain products as indicated in the product description. Warranties are valid from the date of purchase. The warranty is invalid in the case of improper use, installation, tampering, removal of the Q.C. date label or installation in an improper working environment or installation. Should this product fail during the warranty period it will be replaced free of charge, subject to the correct installation of the original product and subsequent return of the faulty unit. Aurora does not accept responsibility for any installation costs associated with the replacement of this product and Aurora reserves the right to alter specifications without prior notice.