

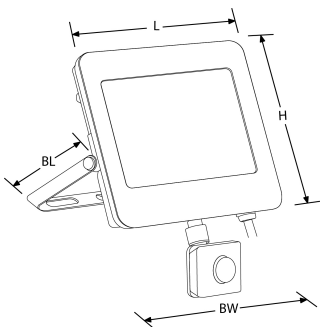


Product Description: Vela[™]PIR 50W Adjustable IP65 Driverless Floodlight

The driverless range of VelaPIR[™] floodlights comes complete with an ultra slim profile and high performance. Delivering 100lm/W and with the product being salt spray tested, it offers a solution for coastal applications.

SKU Code	Wattage	Colour	Lumens	Lumens/Watt	Beam Angle	Finish Colour	SKU Type
EN-FLV50P/40	50	4000	5000	100	110	Black	Non Dimmable

Line Drawing



Polar Curve

Colour



Black

Feature & Benefits

- Aluminium housing for excellent heat dissipation
- Floodlight and PIR sensor IP65 rated
- Pre-wired with 800mm of cable
- 3 Year Warranty
- Tempered frosted glass
- IK06 rated

Product Specs:

Input Voltage	220~240V AC	Input Frequency	50/60HZ
Power Factor	0.90	IP Rating	IP44
Lifetime L70 (hrs)	30000hrs	IK Rating	IK06
Width (mm)	196	Height (mm)	143
Product Type	Floodlights	Operating Temp. (Min) °C	-35°C
Operating Temp. (Max) °C	45°C		

Compliance & Approvals:



Warranty:

This product has a warranty period of 3 Years. Warranties may be available on certain products as indicated in the product description. Warranties are valid from the date of purchase. The warranty is invalid in the case of improper use, installation, tampering, removal of the Q.C. date label or installation in an improper working environment or installation. Should this product fail during the warranty period it will be replaced free of charge, subject to the correct installation of the original product and subsequent return of the faulty unit. Aurora does not accept responsibility for any installation costs associated with the replacement of this product and Aurora reserves the right to alter specifications without prior notice.