



Technical Data

Main Switch (Isolator)

Brief product description:

The 100A rated Main Switch is a switch disconnecter which can be used as an Isolator, and can be used for residential and light commercial applications.

The operating switch can be locked in the ON or OFF position, using a device lock (CUA10).

The Main Switch has a positive contact status indicator, i.e. when green window is visible this indicates that there is a 4mm contact gap.

Features:

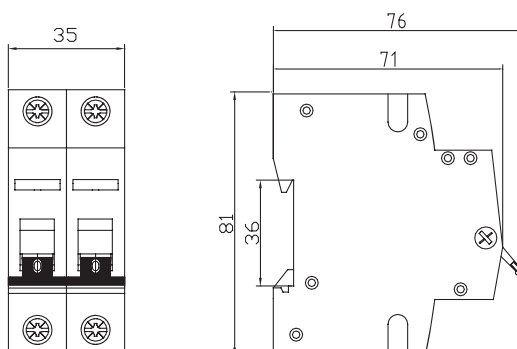
- Stylish modern profile, matches all other BG devices
- Positive contact status indicator
- Lockable dolly switch



Technical Specifications

Standard(s)	EN/IEC 60947-3
Rating	100A
Rated Voltage	230V a.c. 50Hz
Utilisation Type	Type AC -22A
Rated short circuit withstand current Icw	12Ie, t=0.1s
Rated short circuit making capacity 1cm	20Ie, t=0.1s
Rated making and breaking capacity	3Ie, 1.05Ue, COSØ=0.65
Insulation Voltage Ui	690V
Rated impulse withstand voltage Uimp	4000V
No of poles	2
IP rating	IP20
Terminal Capacity	35mm ²
Terminal Torque	2.5NM
Installation	Mounting on 35mm DIN rail
Size	35mm width
Endurance operations	Mechanical 10,000, Electrical 1,500

Line Diagrams



Main Switch (Isolator)

Packaging Information

Cat No.	Description	Packaging Type			Pack Quantity			Barcode		
		Product	Inner Box	Outer Box	Each	Inner Box	Outer Box	Individual	Inner Box	Outer Box
CJSW100	Main Switch 100A DP	Nil	Printed Box	Printed Box	1	5	50	5050765024785	5050765025171	5050765029216

Weights & Dimensions

Cat No.	Description	Dimension (W x L x H) cm			Weight (g)			CMB (m ³)		
		Product	Inner Box	Outer Box	Each	Inner Box	Outer Box	Individual	Inner Box	Outer Box
CJSW100	Main Switch 100A DP									

Instructions

To fit device onto DIN rail, fit top of device onto rail first and then push down bottom of device until retaining device clip 'clicks' and locks onto DIN rail.

When fitting please ensure Main Switch is butted firmly against 'pip' on far right hand side of the DIN rail.

To remove device, pull out retaining device clip from bottom of Switch (using flat screwdriver) and remove by lifting bottom part of Switch first.