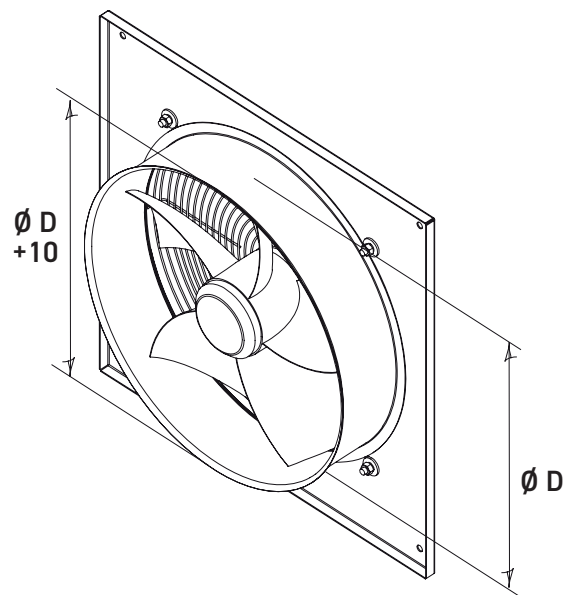
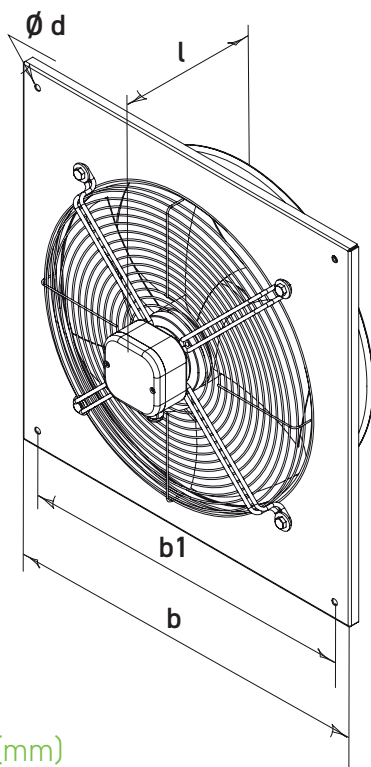


Osily Plate Mounted Axial extractors are a versatile range of fans used for a wide range of commercial and industrial ventilation applications.

Benefits & Features

- ✓ Low profile wall mounted axial flow extractor fans designed for industrial applications.
- ✓ Suitable for workshops, machine rooms, assembly facilities, greenhouses and anywhere where large amounts of air needs to be extracted.
- ✓ Fitted with an inlet guard, dynamically balanced axial flow impeller with a special polymer atmospheric resistant coating and housed in a bell-mouthed powder coated metal plate.
- ✓ Fitted with 1-phase, 4-pole speed controlable motors.
- ✓ Available in four duct diameter sizes: 250, 315, 355 & 400mm.
- ✓ Matching external gravity shutters also available.
- ✓ Airflow rates from 800 to 3580 m³/hour.
- ✓ Suitable for operating in temperatures from -30 to + 60 °C.

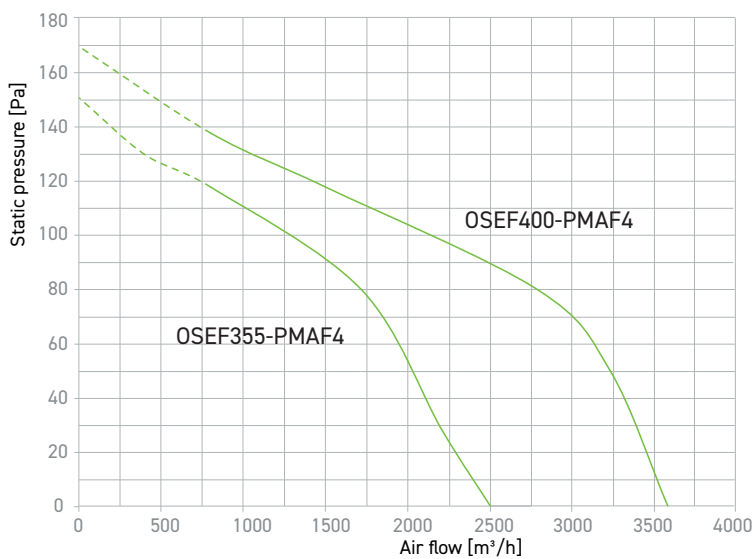
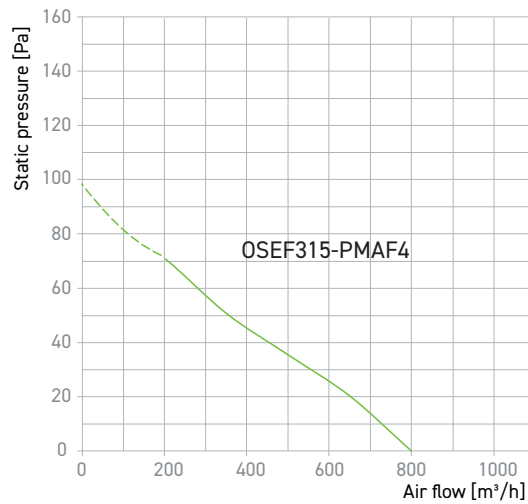
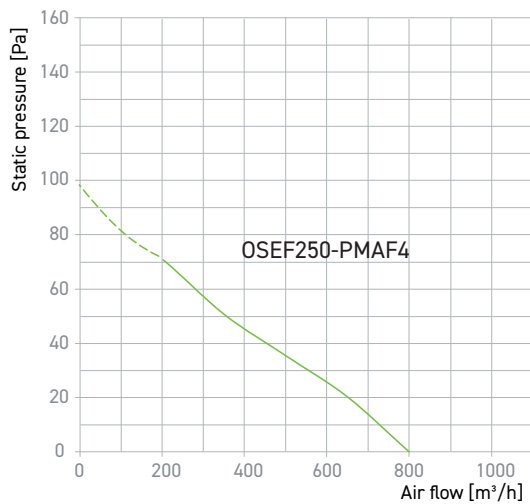


Dimensions (mm)

Type	Ø D	Ø d	b	b1	l	Weight (kg)
OSEF250-PMAF4	260	7	370	320	155	4.06
OSEF315-PMAF4	326	9	430	380	195	5.27
OSEF355-PMAF4	388	9	485	435	200	7.05
OSEF400-PMAF4	417	9	540	490	240	8.80

Technical Data

MODEL	OSEF250-PMAF4	OSEF315-PMAF4	OSEF355-PMAF4	OSEF400-PMAF4
Voltage (V/50-60Hz)	230	230	230	230
Power (W)	50	75	140	180
Current (A)	0.22	0.35	0.65	0.82
Maximum Air Flow (m³/h)	800	800	2500	3580
RPM (min ⁻¹)	1380	1350	1380	1380
Sound Pressure Level at 3m (dBa)	55	58	62	63
Max. Operating temperature (°C)	-30 to +60	-30 to +60	-30 to +60	-30 to +60
Ingress Protection Rating	IP24	IP24	IP24	IP24



Sound Power Level, A-filter Applied

Sound power level	Gen.	Octave frequency bands (Hz)							
		63	125	250	500	1000	2000	4000	8000
OSEF250-PMAF4									
LwA to environment (dBA)	60	52	50	52	53	52	52	44	43
OSEF315-PMAF4									
LwA to environment (dBA)	67	58	57	59	57	58	53	52	49

Sound power level	Gen.	Octave frequency bands (Hz)							
		63	125	250	500	1000	2000	4000	8000
OSEF355-PMAF4									
LwA to environment (dBA)	70	61	62	64	63	63	58	56	52
OSEF400-PMAF4									
LwA to environment (dBA)	75	66	68	66	69	67	65	61	56