

TITAN

LiFePO4 EMERGENCY CONVERSION KITS



Titan emergency conversion kits utilise rechargeable LiFePO4 battery technology, to deliver a versatile solution. The compact, low profile design permits installation through a ceiling cut out of only 75mm. Each kit is supplied with all necessary connectors, indicators and bezel.

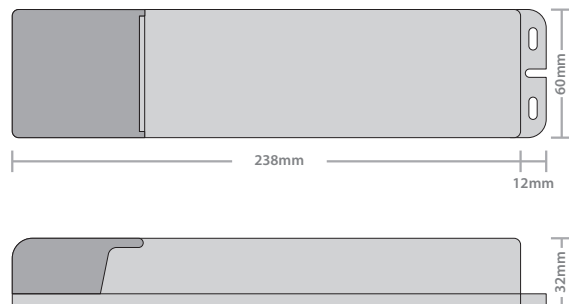
Features

- Versatile kit, fits through 75mm ceiling cut out
- Uses advanced technology LiFePO4 batteries
- Concise range - makes selection simple
- 230V version ideal for use with Red Arrow GU10 and T8 LED lamps
- Supplied with locking and non-locking connectors, indicator, test switch and bezel

Specification

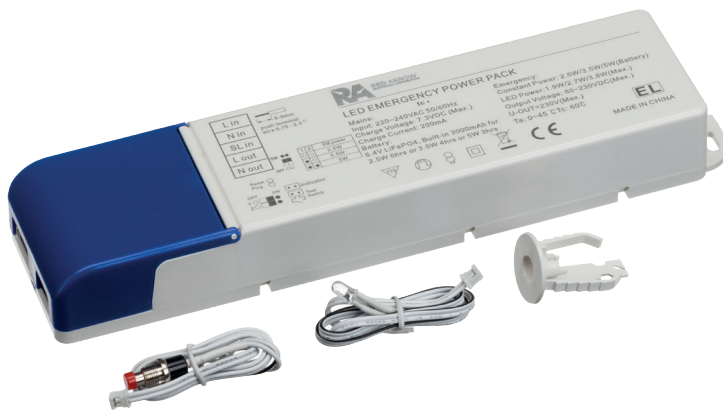
Material:	Polycarbonate
Colour Finish:	White & Blue
IP Rating:	IP20
Working Temperature:	0°C to 45°C 10°C to 55°C (Module)
Emergency Battery Type:	LiFePO4
Guarantee:	5 Years (Batteries 2 years)

Dimensions



Product Code	Description	Wattage	Battery Voltage	Forward Voltage	Barcodes	Net Weight (kg)
TITAN/KIT	Titan Remote Emergency LiFePO4	5W	6.4V	10-90V	5055807623537	0.32
TITAN/KIT/230	Titan Remote Emergency LiFePO4	5W	6.4V	230V	5055807623544	0.29
TITAN/MOD	Titan Emergency Conversion Module + Battery Set	5W	6.4V	10-90V	5055807623551	0.33
TITAN/MOD/230	Titan Emergency Conversion Module + Battery Set	5W	6.4V	230V	5055807623568	0.33

A full range of separate Titan conversion modules and LiFePO4 batteries also available. Contact sales for full details.



TITAN/KIT/230

UK
CA



www.redarrowelectrical.co.uk