

INSTALLATION INSTRUCTIONS

Titan Emergency Conversion Kit Product Codes: TITAN/KIT

Safety Warning



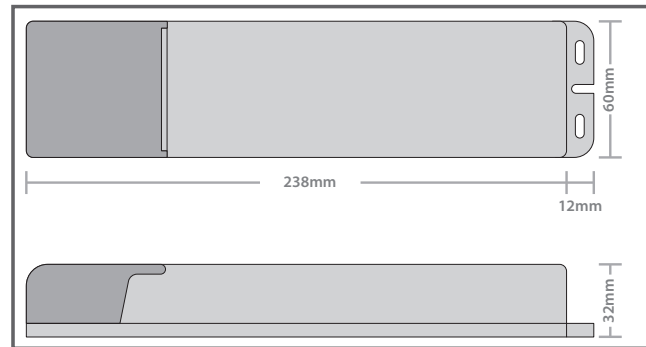
- The installation should be carried out by a qualified electrician in compliance with the current edition of the IEE Wiring Regulations.
- Prior to installation, carry out the necessary risk assessment considering the people who could be at risk, the level of risk and the precautions required to control the risk
- Ensure that the circuit supply is isolated either by the circuit supply fuse being removed or the applicable circuit breaker being turned off before installation or any maintenance.
- Check the total load on the circuit ensuring the luminaire does not exceed the rating of the circuit cable, fuse or circuit breaker.
- Long-term use and voltage fluctuations can reduce the life span of the fitting.
- If the fitting incorporates control gear, ensure careful sizing to avoid instances of nuisance tripping of the protective device used in the installation.
- Follow the provided installation instructions, using the fixings supplied or recommended.
- Keep out of reach of children.



Specification

Box Contents -
1 x Titan Emergency Conversion Kit

Dimensions:	L: 250 x W: 60 x D: 32mm
Material:	Polycarbonate housing
Working Temperature:	0°C - 45°C
Included:	1 x Set of locking DC Connectors, 1 x set of non-locking DC Connectors, LED Charge Indicator, Bezel & Test Switch

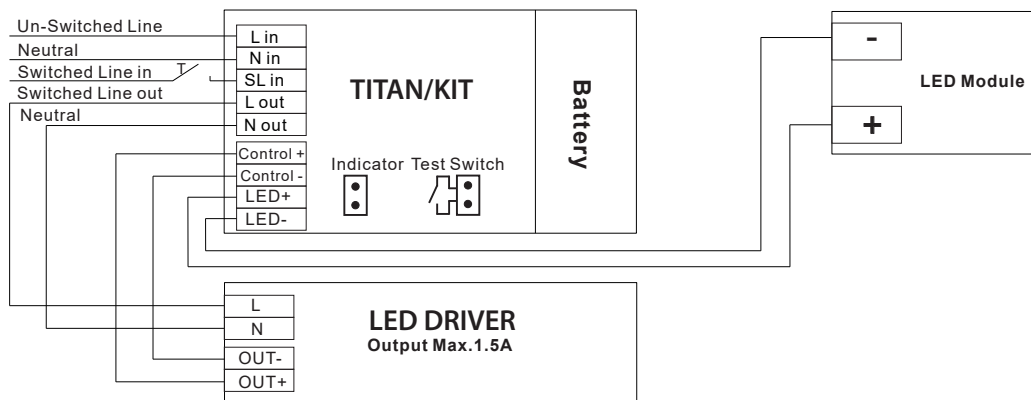


*Battery 2 years guarantee

Installation Instructions

Universal Remote Emergency Pack - For use with LED Modules only.

1. Ensure the mains supply is isolated before attempting installation.
2. Please refer to the diagram below for details of mains supply, driver and LED module connections.
3. Open the blue terminal cover lid to access all connections and wire as per the diagram. Ensure correct polarity is observed.



4. A set of both locking and non-locking DC Connectors are supplied for convenience for use with luminaires that are already fitted with this type of connection. Alternatively, the wiring can be carried out using suitably rated cable.
5. Once wiring is complete, use the strain relief clips to retain the cables. These can be found attached inside the terminal cover lid.
6. Select the emergency power output level using the dip switch. ON position = 2.5W output. OFF position = 5W output.
7. Securely close the terminal cover.
8. A recessing bezel is supplied to assist installation of the LED charge indicator. A 16-18mm hole should be drilled in the required location so it is visible during normal use.

- Restore mains power and check for correct operation. The LED indicator will be illuminated and the supply should be left undisturbed for a minimum of 24 hours to charge the batteries before attempting a commissioning test. After a successful test, the date should be noted on the space provided on the battery label.

Green LED Indicator Status:

OFF - mains failure or battery fully discharged or faulty unit

ON - mains OK and battery connected

Battery Discharge & Charge Specification

Parameter	Min.	Type	Max.	Note
Battery discharge current	300mA	-	400mA	<ul style="list-style-type: none"> When EM Power switch is in 'ON' position to select 2.5W Measured at 6.4V input from batteries
Output voltage	10Vdc	-	90Vdc	
Output constant current	13mA	-	185mA	
Emergency power	2W	-	2.6W	

Parameter	Min.	Type	Max.	Note
Battery discharge current	700mA	-	800mA	<ul style="list-style-type: none"> When EM Power switch is in 'ON' position to select 5W Measured at 6.4V input from batteries
Output voltage	10Vdc	-	90Vdc	
Output constant current	34mA	-	380mA	
Emergency power	4.6W	-	5.2W	

Battery Replacement:

The battery has a designed service life of 4 years and must be replaced in a timely manner to ensure the integrity of the emergency lighting system is maintained. In any case, the battery should be replaced when it no longer provides the rated duration (3 hours).

Guarantee

This product is guaranteed for a period of 5 years (battery 2 years) from the date of purchase. The guarantee is invalid in the case of improper use, tampering, removal of the Q.C. date label, installation in an improper working environment or installation not according to the current edition of the I.E.E. Wiring Regulations (BS7671). The guarantee is also invalidated if the luminaire has been insulation tested. Should this product fail during the guarantee period it will be replaced free of charge, subject to correct installation and return of the faulty unit. We do not accept responsibility for any installation costs associated with the replacement of this product. Your statutory rights are not affected. We reserve the right to alter specifications without prior notice.

Maintenance

- When this fitting comes to the end of its life or you choose to replace it, please do not dispose of it with your normal waste. Please recycle where the facilities exist, check with your local authority for suitable options.

INS/EMERGENCY/0012/TITAN_KIT/V1



Red Arrow Electrical Distribution
Cortonwood Drive, Brompton,
Barnsley, S73 0UF

T: 0800 195 0006
sales@redarrowelectrical.co.uk

redarrowelectrical.co.uk