



# WEATHERGUARD TRIPOD

## SITE TRIPOD HEADS & TRIPOD



Quick and easy to deploy, Weatherguard Site tripod mounted fittings offer ultimate flexibility on site. The heads are supplied ready to mount onto the tripod, complete with 2x1 110V power outlets and 5m of cable.

### Features

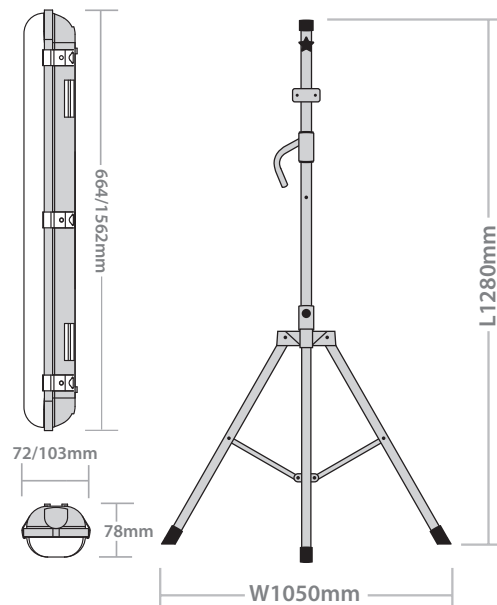
- Fast and easy to set up on site
- Heads fitted with twin 110V sockets
- Pre-wired with 5m cable and plug
- Separate, height adjustable tripod



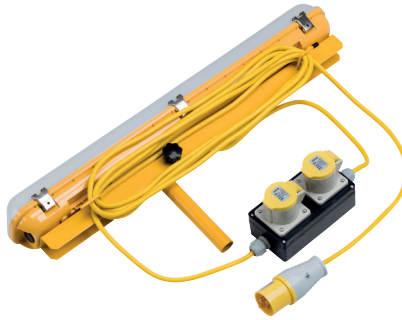
### Specification

<b>Material:</b>	Body & Diffuser: Polycarbonate Tripod: Steel
<b>Colour Temperature:</b>	4000K
<b>Colour Finish</b>	Yellow
<b>CRI:</b>	Ra>80
<b>Led Lifetime:</b>	L80B50 30,000 Hrs
<b>IP Rating:</b>	IP65
<b>IK Rating:</b>	IK07
<b>Working Temperature:</b>	-25°C to 40°C (Emergency version 0°C to 40°C)
<b>Power Factor:</b>	0.9
<b>Emergency Battery Type:</b>	Ni-Cd
<b>Electrical Class:</b>	Class 1
<b>Guarantee:</b>	3 Years (1 year for emergency batteries)

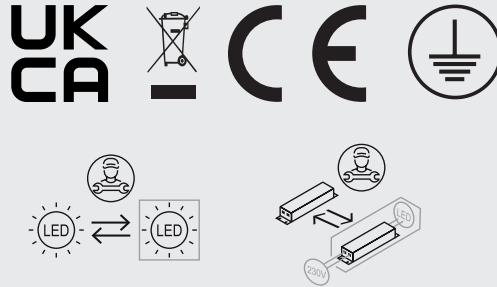
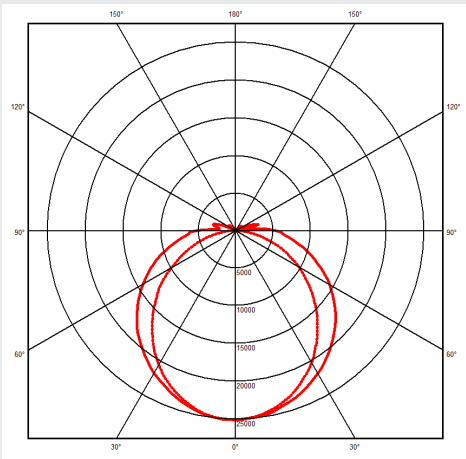
### Dimensions



Product Code	Description	Length	Wattage	Lumen Output	Emergency Lumen Output	Efficacy	Barcodes	Weight
WGS220Y/TH	Weatherguard Site Tripod Head	600mm	20W	2000 lm		100 lm/W	5055807623674	
WGS220Y-E/TH	Weatherguard Site Tripod Head, c/w 3Hr Emergency	600mm	20W	2000 lm	180 lm	100 lm/W	5055807623681	
WGS525Y/TH	Weatherguard Site Tripod Head	1500mm	25W	2500 lm	-	100 lm/W	5055807622745	3.7
WGS525Y-E/TH	Weatherguard Site Tripod Head, c/w 3Hr Emergency	1500mm	25W	2500 lm	225 lm	100 lm/W	5055807622752	4
WGS/TP	Weatherguard Site Adjustable Tripod	-	-	-	-	-	5055807622783	4.09



Light Distribution Curve



[www.redarrowelectrical.co.uk](http://www.redarrowelectrical.co.uk)