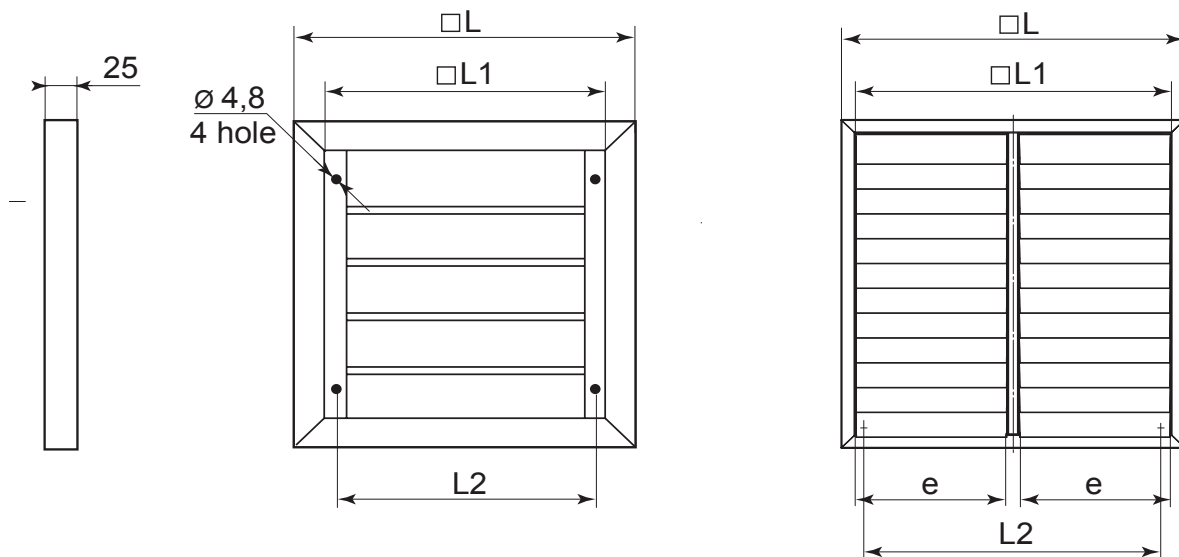


Osily wall gravity shutters are a versatile range of wall vents used for a wide range of commercial and industrial ventilation applications.

Benefits & Features

- ✓ Slimline external gravity shutter louvre, designed to be fitted with Osily plate mounted extract fans.
- ✓ Frame is manufactured from high-quality metal with a anodized polymer coating.
- ✓ Shutter blades are made of lightweight PVC plastic for minimum airflow resistance.
- ✓ Finished in RAL9010 grey.
- ✓ Available to fit four plate fan diameter sizes: 250, 315, 355 & 400mm.
- ✓ Gravity operated action. Designed to automatically close when not in use, to provide a weatherproof barrier.
- ✓ Weatherproof design for mounting on external walls.



Dimensions (mm)

Type	L (mm)	L1 (mm)	L2 (mm)	e (mm)	Inner cross section size (mm)
OSEF250-PMAF4ST	334	284	270	-	250x250
OSEF315-PMAF4ST	384	334	320	-	300x300
OSEF355-PMAF4ST	434	384	370	-	350x350
OSEF400-PMAF4ST	484	434	420	-	400x400