

### LED Downlight 3 Hour Emergency Remote Pack LiFePO4

- Maintained articulated emergency pack, compatible with Luxna LED Downlights
- Rated supply voltage and frequency: 220-240V~50/60Hz
- Emergency output power: 5W (70-250V DC)
- Battery charge time: 24 Hours
- Emergency discharge duration: 3 Hours
- Polycarbonate housing: IP20 rated
- Charge LED indicator with 1x mounting clip included
- Ambient operating temperature: +5°C to +50°C
- Driver complies with BSEN61347-2-7
- Conforms to EN60598-1 & EN60598-2-22
- Replacement battery type: LiFePO4 6.4V 3.6Ah\*



**5 YEAR**  
WARRANTY

**IP20**

Part No.	Measurement L x W x H	Compatible Products	
LXERPA/230/EM3	270 (515) x 68 x 42mm	LUXNA LED Downlights	LXFRD/5-7/CCT4, LXFRD6 (WW, NW, CW)
<b>Accessories</b>			
LXLPF2-ELC-W		Spare charge indicator LED bezel - White	

#### Wiring diagram

##### A. Mains Input

Connect to Mains Supply as follows:

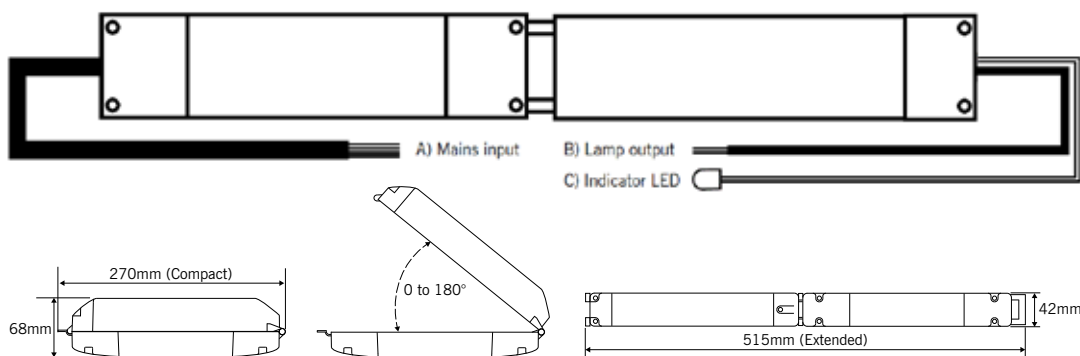
Green/yellow = Earth      Black = Permanent live  
Blue = Neutral              Brown = Switched live

##### B. Lamp Output

Connect to LED lamp  
240V input as follows:  
Blue = Neutral  
Brown = Live

##### C. Indicator LED

An indicator LED mount clip is supplied to mount the LED in a visible location. A 14-16mm hole is required for the LED indicator mount.



#### \* Important Battery Information (Consumable parts) Type – 2CELL 6.4V 3.6Ah

The batteries have a normal operating designed service life of 4 years and must be replaced in a timely manner to ensure that the integrity of the emergency lighting system is maintained. The battery cells actual service life can be shortened by several variable factors including (but not limited to): Type of installation environment, Room temperature, Number of charge/discharge cycles, power supply interruptions etc. The product should be tested and maintained regularly according to the details within the instruction manual. Should the battery cells fail to provide the minimum rated discharge duration of 3 hours at any time during the products service life, they must be replaced.



Email [sales@luxna.co.uk](mailto:sales@luxna.co.uk)



Web [luxna-lighting.com](http://luxna-lighting.com)