

# GREEN BROOK ELECTRICAL

## Installation / Operating Instructions for 7 Day Mechanical Socket Box Timer - T101A

Please read the instructions fully before attempting installation.

### IMPORTANT

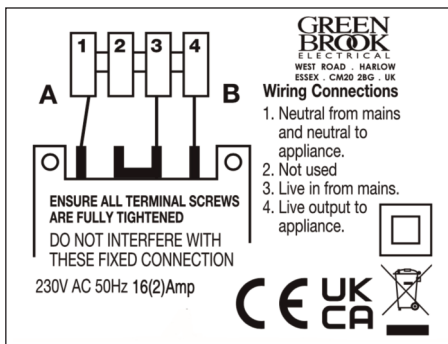
**This unit should be installed to current IET wiring regulations if in doubt consult a qualified electrician.**

- Timer must not be mounted on a flammable surface.
- Ensure that the timer does not come into contact with any combustible materials such as towels or bedding.
- Ensure at least a 300mm air space is allowed around the timer.

### INSTALLATION

- Prepare cable ends for connection to terminals.
- Remove the 2 screws holding the timeswitch cover to the backplate. Remove cover leaving the timeswitch hanging loose by its connection wires to the backplate.

**DO NOT INTERFERE WITH THESE FIXED CONNECTIONS.**



### WIRING

- Connect all earth wires to earthing point in wall box.
- Offer up the backplate to the wall box and connect the wiring as below.

### CONNECTION FOR 230V SWITCHED OUTPUT

1. Neutral from mains and Neutral to appliance
2. Not used
3. Live in from mains
4. Live output to appliance

**IMPORTANT: Ensure all Terminal screws are fully tightened.**

- When the wiring is complete screw the backplate to the fitted wall box using two 3.5mm screws.
- Push the timeswitch back in to its seating on the backplate, taking care that all the wires are tucked in. Fit the cover and tighten the two screws.

### SETTING THE CLOCK

- Turn the dial in the direction of the arrow (clockwise) until the correct day and time of day is exactly opposite time set marker ▲ on the clock face. (weekly clock).
- For the "ON" period push the switching riders out towards the outside edge of the face. The timer will operate for the duration set (each segment is approximately 2 hours duration). i.e. If it is required to switch on between 16.00 and 22.00, all the segments between these times should be moved to the outer edge.

### SETTING THE PROGRAMME

- By moving the switch located centre right of the dock face the following operations can be achieved.
  - ⏪ = Permanently ON.
  - 🕒 = Switching programme as set on dial.
  - ⏩ = Permanently OFF.

### TECHNICAL INFORMATION

Switching Capacity:	230V AC, 16A resistive, 2A Inductive
Ambient Temperature:	-10°C to +55°C
Shortest Switching Time:	2 Hours
Wattage:	3000W
Conforms To:	BS EN 60730-1, BS EN 60730-2-7

#### NOTE:

#### Product & Packaging Disposal

**When disposing of this item and its packaging please follow local regulations and use an appropriate waste disposal centre. See GreenBrook website for further details.**

### CE INFORMATION

ACTION TYPE: IB

POLLUTION SITUATION: NORMAL

CLASS 2 INSULATION:

⏪ : MICRO-DISCONNECTION  
LIVE POLE ONLY

#### GUARANTEE

**Your GreenBrook 7 Day Mechanical Timer is guaranteed for 1 year from the date of purchase.**

**This is in addition to your statutory rights.**

**PLEASE KEEP THESE INSTRUCTIONS SAFE FOR FUTURE REFERENCE**

UK  
CA  
CE

**GREEN BROOK**  
ELECTRICAL  
WEST ROAD · HARLOW  
ESSEX · CM20 2BG · UK  
info@greenbrook.co.uk  
www.greenbrook.co.uk