



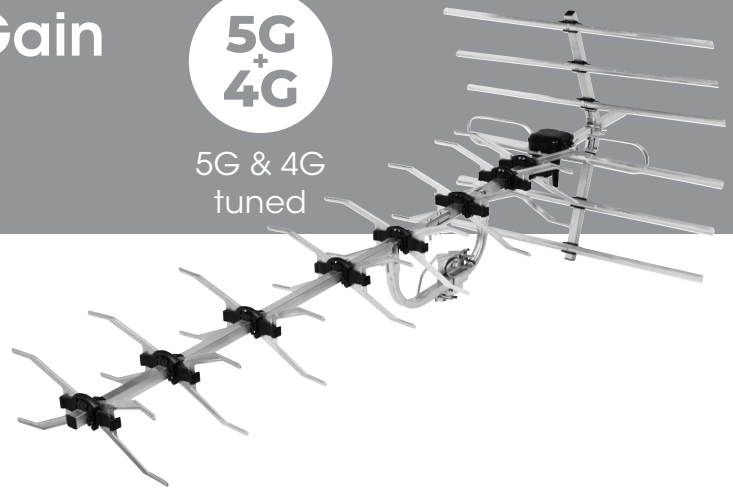
# 48 Element High Gain Outdoor TV Aerial

27884V

User Guide



5G & 4G tuned



**Congratulations on the purchase of your high gain Yagi aerial. The aerial is ideal for the reception of all available signals in medium and weak signal areas.**

- Tuned to prevent interference from 5G/4G mobile signals
- Easy to assemble with clip-on dipole
- Electronic 75Ω balun
- Connection: F type

## General Safety Precautions

Do not undertake work outdoors at height unless you are competent in the use of ladders and other access equipment. Always use correct equipment, observe appropriate safety precautions and follow manufacturers instructions. If in doubt consult a professional installer.

Before starting installation check structure is sound and check for hidden wiring or plumbing.

When working on an installation outside, beware of overhead power lines. Observe safe working practices, tread carefully on roofs and ensure adequate lighting is available if working in loft or roof space.

Before making any connections switch electricity off at the mains. To avoid injury always route cables or wiring carefully. Ensure cable is correctly routed before fixing into position, taking care not to overtighten cable clips.

This kit contains small parts - keep out of reach of children.

After installation make regular maintenance checks for wear and tear.

## Aerial assembly

**Box Contents**

1. Reflector clamps x2 (inc. bolt & wing nut)
2. Boom (back) x1
3. Boom joining bracket x1 (inc. bolts & wing nuts)
4. Boom (front) x1
5. Balun and dipole x1
6. Mast clamp assembly x1
7. Centre mount bracket x1 (inc. clips and fixings)
8. Weather Boot x1
9. F Plug x1
10. Reflectors x2

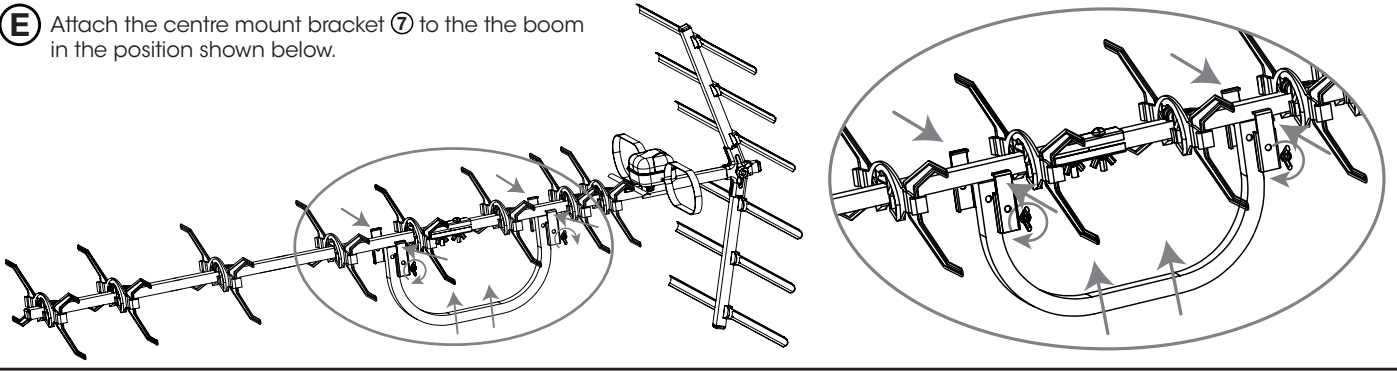
**A** Rotate all the butterfly elements on the boom ④ & ② through 90° into an upright position.

**B** Join the front and back parts of the boom ④ & ② using the joining bracket ③

**C** Clip the balun ⑤ to the boom ② locating the pin on the underside of the balun into the corresponding hole on the boom

**D** Attach the reflectors ⑩ to the back of the boom ② using the reflector clamps ①, bolt and wing nut. Check that the reflector clamp tabs locate in the locating holes on the reflectors.

**E** Attach the centre mount bracket ⑦ to the boom in the position shown below.



## Installation

For best results the aerial should be mounted on an outdoor aerial mast and pointed in the direction of the nearest transmitter\* making sure it is in a position where the transmitter signal will not be obstructed by nearby trees and buildings. If you are in any doubt about the direction in which the aerial should be pointing or the orientation of the aerial (horizontal for main transmitter, vertical for relay transmitter) check your neighbours' aerals. If mounting on an existing mast check that the mast is in good condition and firmly fixed.

Prepare one end of the coaxial cable and attach the F connector supplied (Fig. F & G).

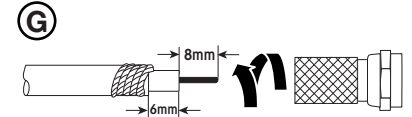
H. Using the clamp supplied fix the aerial to the mast. After the aerial direction has been fine tuned for best reception tighten the bolts firmly until the aerial is securely fixed to the mast.

I. & J. Attach and run the coax download as shown.

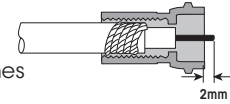
F. Thread the cable through the weather boot.



G. Fold the braid back over the outer sheath\*. Tear off or cut away exposed foil. Screw the F plug (I) on to the cable. Trim inner wire, leaving 2mm exposed.

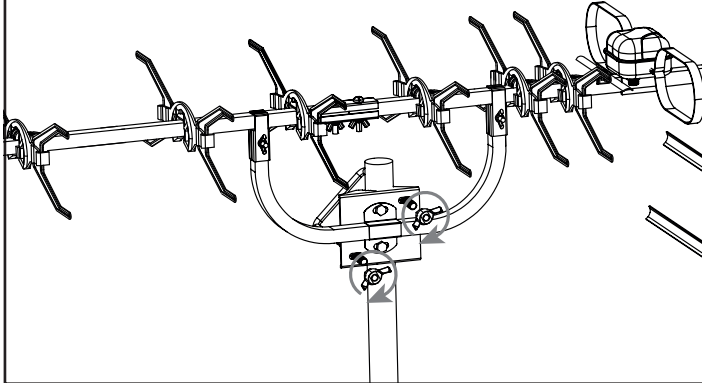


Trim inner wire, leaving 2mm exposed.



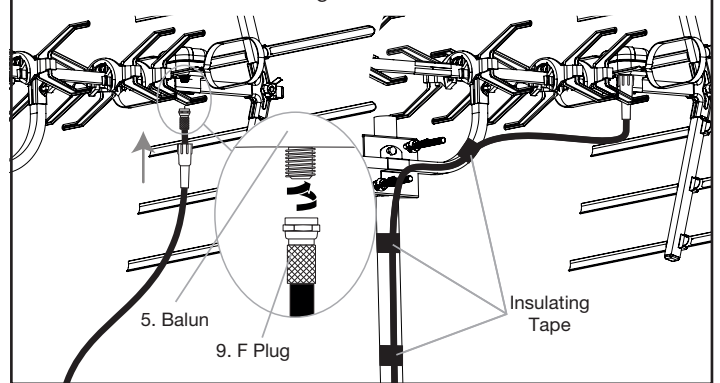
\*To prevent short circuits ensure that no braid touches the inner conductor.

**H** Attach the mast clamp assembly ⑥ to the centre mount bracket ⑦ and then attach the mast clamp assembly to a mast.



**I** Attach the F plug ⑨ and cable to the balun, slide up the boot ⑧ to make a tight seal

**J** Route the cable as shown below and attach to the centre bracket and mast



## Troubleshooting

**No picture:**

Check all the connections from aerial to TV.

**Poor picture:**

Check all the connections from aerial to TV.

Check aerial is properly aligned to the correct transmitter.

If the aerial has been loft mounted try mounting outside.

Make sure new digital coax cable has been used throughout the installation.

Check the transmitter signal is not obstructed by nearby trees or buildings.

If in a very weak signal area or for long cable runs, installing a masthead amplifier will improve the signal.

If in a strong signal area the signal strength may need to be reduced by fitting an attenuator.

For further information, please contact:

Technical Support: [www.philex.com/products/technical-support/](http://www.philex.com/products/technical-support/)

**Other Useful Websites for Digital Advice:**

\*To find out what DTT channels should be available locally and to find out where your nearest transmitter is (distance and compass bearing) visit: <http://www.wolfbane.net/cgi-bin/tvd.exe>

## Specifications

Frequency Range MHz	470-694
TV Channels	21-48
Forward Gain dBi	14
Front/Back Ratio dB	>15
Beam Width +/-deg.	H30°/V35°
Connector	F-Type
Length	1260mm
Width	500mm

WEEE symbol. Waste electrical and electronic products should not be disposed of with household waste. Please recycle where facilities exist. Check with your Local Authority or local store for recycling advice.



UK Distributor  
Philex Electronic Ltd.  
Kingfisher Wharf, London Road,  
Bedford MK42 0NX,  
United Kingdom.

EU Distributor  
Philex Electronic Ireland Ltd.  
Robwyn House, Corrintra,  
Castleblayney, Co. Monaghan,  
A75 YX76, Ireland.



© Philex Electronic Ltd 2022. vb1.1