

Diecast aluminium floodlights, energy saving LED, symmetric beam, PIR Sensor, IP65, Black

Technical Specification:

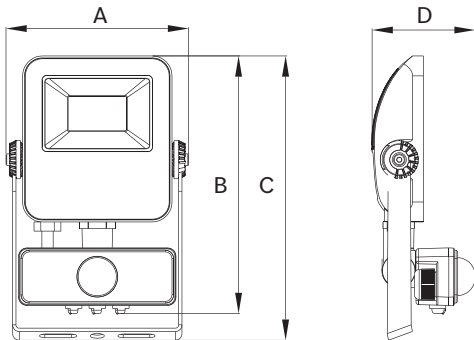
Primary Materials	Diecast aluminium body, Tempered Glass front
Integral Driver	Non-dimmable
Luminous Efficacy	120 Lm/W
Typical UGR	N / A
Colour Temperature	4000K
Colour Rendering Index	Ra >80
Ingress Protection	IP65
Beam Angle	110°
Power Factor	>0.9
Impact Resistance	IK07
Safety Class Rating	Class I
Operating Temperature	-20°C to +45°C
LED Lifetime	50,000h L70/B50 (Ta25°C)
Input Voltage & Frequency	AC220-240V 50/60Hz
Light Source Energy Efficiency	Class E
Pre-fitted Cable	500mm
Warranty*	5 Years



50 Watt

Dimensions:

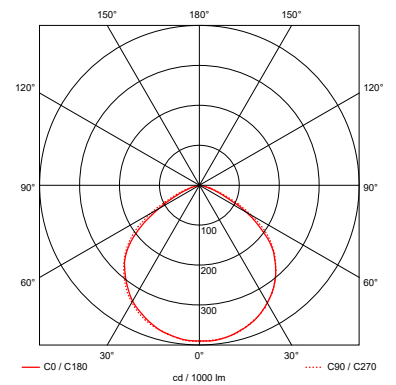
Floodlight with PIR sensor



PIR Functions

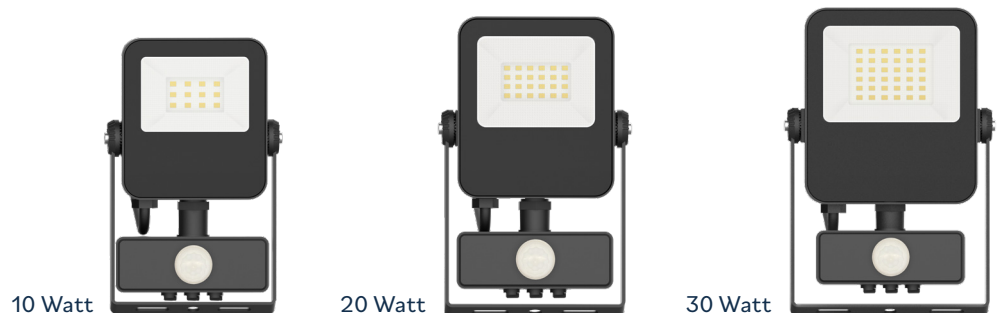


Light Distribution Curve:



Product Range Data:

Part No.	Power	Lumen Output	Colour Temperature	Dimensions A x B x C x D	IP Rating	Ra	Weight
LXFL10BNW-PIR	10W	1200Lm	4000K	110 x 155 x 171 x 62mm	IP65	>80	0.43kg
LXFL20BNW-PIR	20W	2400Lm	4000K	117 x 165 x 182 x 64mm	IP65	>80	0.50kg
LXFL30BNW-PIR	30W	3600Lm	4000K	134 x 180 x 196 x 65mm	IP65	>80	0.60kg
LXFL50BNW-PIR	50W	6000Lm	4000K	174 x 216 x 235 x 70mm	IP65	>80	0.96kg



*Warranty terms and conditions apply

Product specifications and values may change due to developments and improvements in lighting technology. International standards set the tolerance in colour temperature, lumen output and connected power load at $\pm 10\%$. The data values apply to an ambient temperature of $+25^\circ\text{C}$. Specification details are subject to change without prior notification. E&OE. LXFLP1V1.06.23