

Current monitoring relay SCR

Instruction Manual



General

■ Applications

-Serves for monitoring of heating in rail-switches, heating cables, consumption of one-phase motors, indicates current flow.

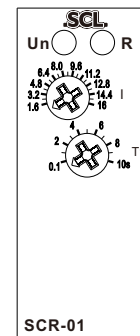
■ Function Features

- Adjustable delay 0.5 - 10 s to eliminate short current peaks.
- Flexible adjustment by potentiometer, choice of 6 ranges :
AC 0.05-0.5A; AC 0.1-1A; AC 0.2-2A; AC 0.5-5A; AC 0.8-8A; AC 1.6-16A
- Possible to use for current scanning from current transformer.
- Universal supply AC 24 - 240 V and DC 24 V.
- Relay status is indicated by LED.
- 1-MODULE,DIN rail mounting.

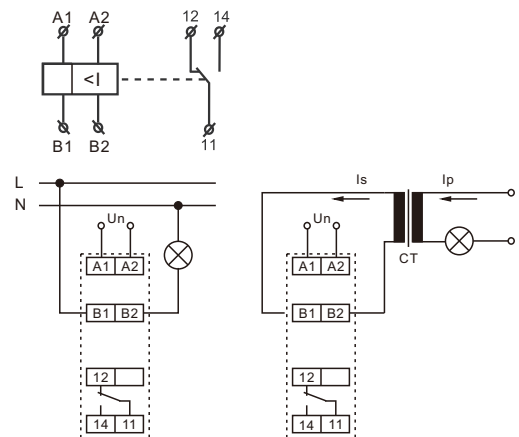
Technical parameters

Technical parameters	SCR
Function	Monitoring current
Supply terminals	A1-A2
Rated supply voltage	AC 24V-240V or DC 24V
Rated supply frequency	50/60Hz,0
Burden	max.25VA
Supply voltage tolerance	-15%;+10%
Current range	0.5A,1A,2A,5A,8A,16A
Current adjustment	potentiometer
Time delay	adjustable 0.1-10 s
Supply indication	green LED
Setting accuracy	10 %
Repeat accuracy	<1 %
Temperature dependancy	< 0.1 % /°C
Limit values tolerance	5 % (10% for 0.05-0.5A range)
Hysteresis	5 %
Temperature coecient	0.05%/°C,at=20°C(0.05%°F , at=68°F)
Output	1×SPDT
Current rating	10A/AC1
Switching voltage	250VAC/24VDC
Min.breaking capacity DC	500mW
Output indication	red LED
Mechanical life	1×10 ⁷
Electrical life(AC1)	1×10 ⁵
Operating temperature	-20°C to +55°C (-4°F to 131°F)
Storage temperature	-35°C to +75°C (-22°F to 158°F)
Mounting/DIN rail	Din rail EN/IEC 60715
Protection degree	IP40 for front panel/IP20 terminals
Operating position	any
Overvoltage cathegory	III.
Pollution degree	2
Max.cable size(mm ²)	solid wire max.1×2. 5or 2×1. 5/ with sleeve max.1×2. 5(AWG 12)
Dimensions	90×18×64mm
Weight	62g
Standards	EN 62055-1

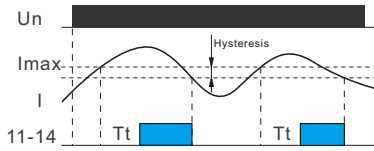
Panel Diagram



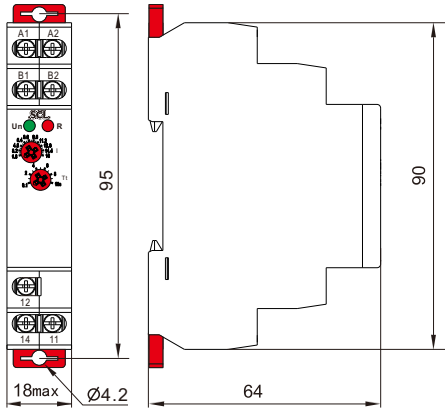
Wiring Diagram



Functions Diagram



Dimensions(mm)



Disposal of Electrical Waste
All electrical waste should be disposed of in compliance with current WEEE regulations.



Caution
The products must be installed by qualified electricians. All and any electrical connections of the time relay shall comply with the appropriate safety standards.