

Slimline decorative bulkhead, energy saving LED with 10-16W wattage selector switch and 3CCT selector switch, IP65, White

Technical Specification:

Primary Materials	Polycarbonate base, bezel and Opal diffuser
Integral Driver	Non Dimmable
Luminous Efficacy	100 Lm/W
Typical UGR	<22
Colour Temperature	3000K, 4000K, 6500K Switchable
Colour Rendering Index	Ra >80
Ingress Protection	IP65
Fire Rating	N/A
Beam Angle	120°
Power factor	>0.9
Impact Resistance	IK08
Safety Class rating	(See Table)
Operating Temperature	-10°C to +40°C (Standard), 0°C to +40°C (Emergency)
LED Lifetime	50,000h L70/B50 (Ta25°C)
Input Voltage & Frequency	AC220-240V 50/60Hz
Light Source Energy Efficiency	Class C
Warranty*	5 Years

100
LUMEN
PER WATT

IP65

IK08



RATED LIFE
50,000 HRS



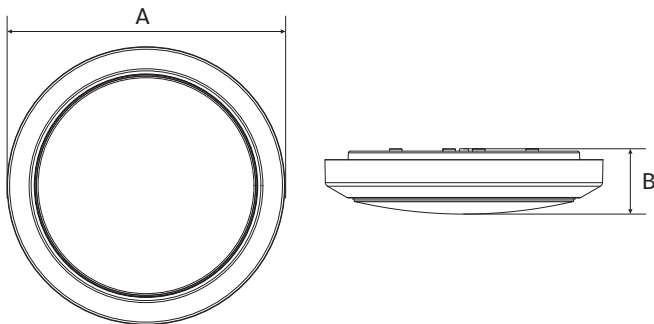
5
YEAR
WARRANTY

C

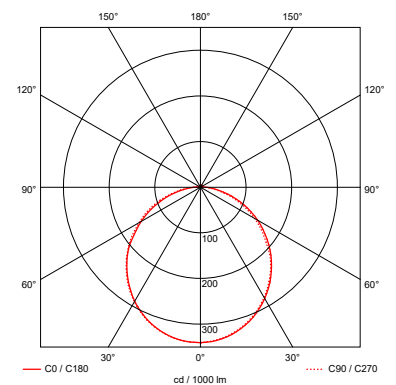


Dimensions:

Round Slim Bulkhead



Light Distribution Curve:



Product Range Data:

Part No.	Power	Lumen Output	Colour Temperature	Dimensions A x B	IP Rating	Class Rating	Ra	Weight
LXBHRS/4PS/CCT3	10/12/14/16W	1000/1200/1400/1600Lm	3000K/4000K/6500K	327 x 77mm	IP65	Class I	>80	850g
LXBHRS/4PS/CCT3/EM3	10/12/14/16W	1000/1200/1400/1600Lm	3000K/4000K/6500K	327 x 77mm	IP65	Class I	>80	1030g
LXBHRS/4PS/CCT3/MWS	10/12/14/16W	1000/1200/1400/1600Lm	3000K/4000K/6500K	327 x 77mm	IP65	Class II	>80	880g
LXBHRS/4PS/CCT3/MWS/EM3	10/12/14/16W	1000/1200/1400/1600Lm	3000K/4000K/6500K	327 x 77mm	IP65	Class II	>80	1060g

*Warranty terms and conditions apply

Product specifications and values may change due to developments and improvements in lighting technology. International standards set the tolerance in colour temperature, lumen output and connected power load at ±10%. The data values apply to an ambient temperature of +25°C. Specification details are subject to change without prior notification. E&OE. LXBHRSV1.06.23