

# Product datasheet

Specifications



## Light block for head Ø22, white, integral LED, 24 V AC/DC

Local distributor code: 237124759 ZBVB1

EAN Code : 3389110089615

### Main

Range of product	Harmony XB5 Harmony XB4
Product or component type	Light block
Device short name	ZBV
Sale per indivisible quantity	5
Connections - terminals	Screw clamp terminals, $\leq 2 \times 1.5 \text{ mm}^2$ with cable end conforming to EN 60947-1 Screw clamp terminals, $\geq 1 \times 0.22 \text{ mm}^2$ without cable end conforming to EN 60947-1
Signalling type	Steady
Light source	Universal LED
Bulb base	Integral LED
Light block supply	Direct
Light source colour	White
[Us] rated supply voltage	24 V AC/DC at 50/60 Hz

### Complementary

Net weight	0.017 kg
Tightening torque	0.8...1.2 N.m conforming to EN 60947-1
Shape of screw head	Cross compatible with Philips no 1 screwdriver Cross compatible with pozidriv No 1 screwdriver Slotted compatible with flat Ø 4 mm screwdriver Slotted compatible with flat Ø 5.5 mm screwdriver
Supply voltage limits	19.2...30 V DC 21.6...26.4 V AC
Current consumption	18 mA
Service life	100000 h at rated voltage and 25 °C
Surge withstand	1 kV conforming to IEC 61000-4-5
Mounting of block	Front mounting
Electrical composition code	M1 M2 M3 M4 M5 M6 M10 MF1 P1 P2 PF1

---

Device presentation	Basic element
---------------------	---------------

## Environment

---

Protective treatment	TH
----------------------	----

---

Ambient air temperature for storage	-40...70 °C
-------------------------------------	-------------

---

Ambient air temperature for operation	-40...70 °C
---------------------------------------	-------------

---

IP degree of protection	IP20 conforming to IEC 60529
-------------------------	------------------------------

---

Standards	JIS C8201-5-1 EN/IEC 60947-1 EN/IEC 60947-5-1 CSA C22.2 No 14 EN/IEC 60947-5-5 EN/IEC 60947-5-4 UL 508 JIS C8201-1
-----------	---

---

Product certifications	UL listed CSA
------------------------	------------------

---

Resistance to fast transients	2 kV conforming to IEC 61000-4-4
-------------------------------	----------------------------------

---

Resistance to electromagnetic fields	10 V/m conforming to IEC 61000-4-3
--------------------------------------	------------------------------------

---

Resistance to electrostatic discharge	6 kV on contact (on metal parts) conforming to IEC 61000-4-2 8 kV in free air (in insulating parts) conforming to IEC 61000-4-2
---------------------------------------	--

---

Electromagnetic emission	Class B conforming to IEC 55011  24 V
--------------------------	---

## Packing Units

---

Unit Type of Package 1	PCE
------------------------	-----

---

Number of Units in Package 1	1
------------------------------	---

---

Package 1 Height	1.000 cm
------------------	----------

---

Package 1 Width	3.300 cm
-----------------	----------

---

Package 1 Length	4.000 cm
------------------	----------

---

Package 1 Weight	8.800 g
------------------	---------

---

Unit Type of Package 2	BB1
------------------------	-----

---

Number of Units in Package 2	5
------------------------------	---

---

Package 2 Height	4.000 cm
------------------	----------

---

Package 2 Width	5.500 cm
-----------------	----------

---

Package 2 Length	5.500 cm
------------------	----------

---

Package 2 Weight	50.000 g
------------------	----------

---

Unit Type of Package 3	S03
------------------------	-----

---

Number of Units in Package 3	800
------------------------------	-----

---

Package 3 Height	30.000 cm
------------------	-----------

---

Package 3 Width	30.000 cm
-----------------	-----------

---

Package 3 Length	40.000 cm
------------------	-----------

---

Package 3 Weight	8.510 kg
------------------	----------

## Offer Sustainability

---

Sustainable offer status	Green Premium product
--------------------------	-----------------------

---

REACH Regulation	<a href="#">REACH Declaration</a>
------------------	-----------------------------------

<b>REACH free of SVHC</b>	Yes
<b>EU RoHS Directive</b>	Pro-active compliance (Product out of EU RoHS legal scope) <a href="#">EU RoHS Declaration</a>
<b>Mercury free</b>	Yes
<b>China RoHS Regulation</b>	<a href="#">China RoHS declaration</a>
<b>RoHS exemption information</b>	Yes
<b>Environmental Disclosure</b>	<a href="#">Product Environmental Profile</a>
<b>Circularity Profile</b>	<a href="#">End of Life Information</a>
<b>WEEE</b>	The product must be disposed on European Union markets following specific waste collection and never end up in rubbish bins

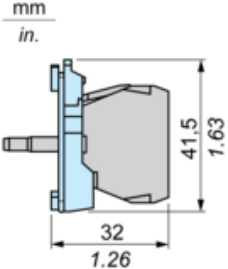
## Contractual warranty

<b>Warranty</b>	18 months
-----------------	-----------

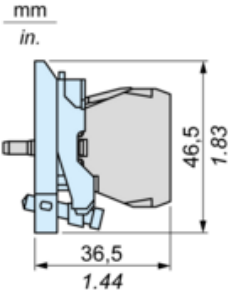
**Dimensions**

---

**with ZB5AZ009 Fixing Collar**



**with ZB4BZ009 Fixing Collar**

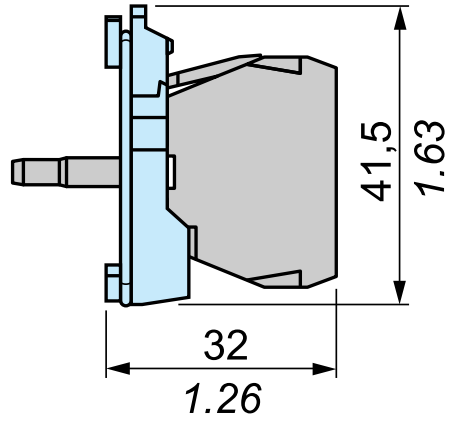


**Dimensions**

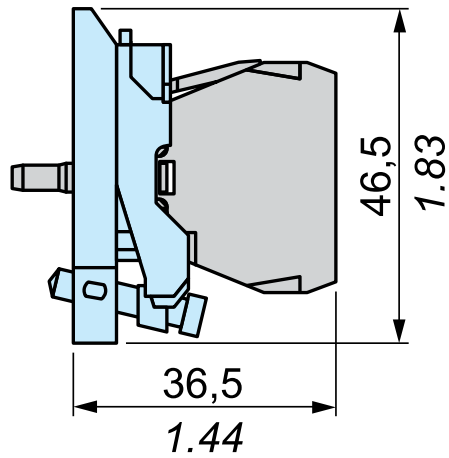
---

mm  
*in.*

**+ ZB5AZ009**



**+ ZB4BZ009**



**Recommended replacement(s)**