

Product datasheet

Specifications



Light block for head Ø22, blue, integral LED, 24 V AC/DC

Local distributor code: 237124982 ZBVB6

❗ Discontinued on: 15 May 2023

❗ Discontinued

Important message : All colored LED are replaced with a single Universal LED block for use with new illuminated heads (more information at se.com/harmonyxb4 or se.com/harmonyxb5)
EAN Code : 3389110089653

Main

| | |
|-------------------------------|--|
| Range of product | Harmony XB4 Harmony XB5 |
| Product or component type | Light block |
| Device short name | ZBV |
| Sale per indivisible quantity | 5 |
| Connections - terminals | Screw clamp terminals, <= 2 x 1.5 mm ² with cable end conforming to EN 60947-1 Screw clamp terminals, >= 1 x 0.22 mm ² without cable end conforming to EN 60947-1 |
| Signalling type | Steady |
| Light source | Protected LED |
| Bulb base | Integral LED |
| Light block supply | Direct |
| Light source colour | Blue |
| [Us] rated supply voltage | 24 V AC/DC at 50/60 Hz |

Complementary

| | |
|-----------------------------|---|
| Net weight | 0.017 kg |
| Tightening torque | 0.8...1.2 N.m conforming to EN 60947-1 |
| Shape of screw head | Cross compatible with Philips no 1 screwdriver Cross compatible with pozidriv No 1 screwdriver Slotted compatible with flat Ø 4 mm screwdriver Slotted compatible with flat Ø 5.5 mm screwdriver |
| Supply voltage limits | 19.2...30 V DC 21.6...26.4 V AC |
| Current consumption | 18 mA |
| Service life | 100000 h at rated voltage and 25 °C |
| Surge withstand | 1 kV conforming to IEC 61000-4-5 |
| Mounting of block | Front mounting |
| Electrical composition code | M1 M2 M3 M4 M5 M6 M10 MF1 P1 |

P2
PF1

Device presentation Basic element

Environment

Protective treatment TH

Ambient air temperature for storage -40...70 °C

Ambient air temperature for operation -40...70 °C

IP degree of protection IP20 conforming to IEC 60529

Standards JIS C8201-5-1
EN/IEC 60947-5-1
EN/IEC 60947-5-4
EN/IEC 60947-1
CSA C22.2 No 14
UL 508
EN/IEC 60947-5-5
JIS C8201-1

Product certifications CSA
UL listed

Resistance to fast transients 2 kV conforming to IEC 61000-4-4

Resistance to electromagnetic fields 10 V/m conforming to IEC 61000-4-3

Resistance to electrostatic discharge 6 kV on contact (on metal parts) conforming to IEC 61000-4-2
8 kV in free air (in insulating parts) conforming to IEC 61000-4-2

Electromagnetic emission Class B conforming to IEC 55011
24 V

Packing Units

Unit Type of Package 1 PCE

Number of Units in Package 1 1

Package 1 Height 1.000 cm

Package 1 Width 3.000 cm

Package 1 Length 4.500 cm

Package 1 Weight 9.000 g

Unit Type of Package 2 BB1

Number of Units in Package 2 5

Package 2 Height 4.500 cm

Package 2 Width 5.500 cm

Package 2 Length 5.500 cm

Package 2 Weight 51.000 g

Unit Type of Package 3 S03

Number of Units in Package 3 800

Package 3 Height 30.000 cm

Package 3 Width 30.000 cm

Package 3 Length 40.000 cm

Package 3 Weight 8.649 kg

Offer Sustainability

Sustainable offer status Green Premium product

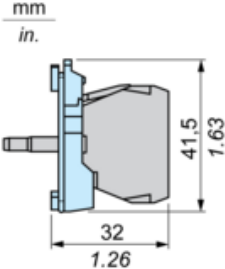
| | |
|-----------------------------------|---|
| REACH Regulation | REACH Declaration |
| REACH free of SVHC | Yes |
| EU RoHS Directive | Pro-active compliance (Product out of EU RoHS legal scope) EU RoHS Declaration |
| Mercury free | Yes |
| China RoHS Regulation | China RoHS declaration |
| RoHS exemption information | Yes |
| Environmental Disclosure | Product Environmental Profile |
| Circularity Profile | End of Life Information |
| WEEE | The product must be disposed on European Union markets following specific waste collection and never end up in rubbish bins |

Contractual warranty

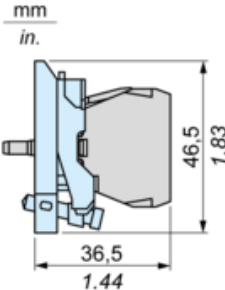
| | |
|-----------------|-----------|
| Warranty | 18 months |
|-----------------|-----------|

Dimensions

with ZB5AZ009 Fixing Collar



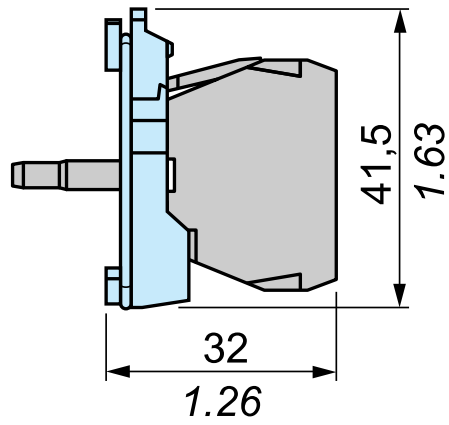
with ZB4BZ009 Fixing Collar



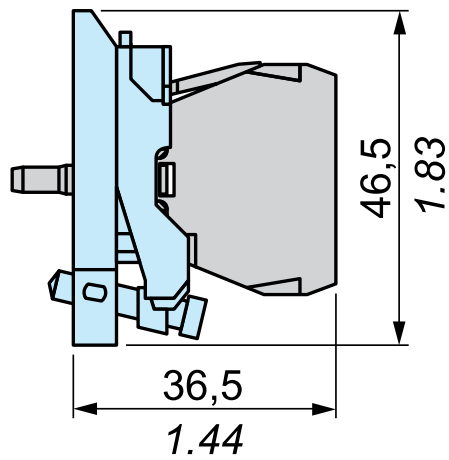
Dimensions

mm
in.

+ ZB5AZ009



+ ZB4BZ009



Recommended replacement(s)

ZBVB6 is replaced by:

1x



Light block for head Ø22, white, integral LED, 24 V AC/DC
ZBVB1