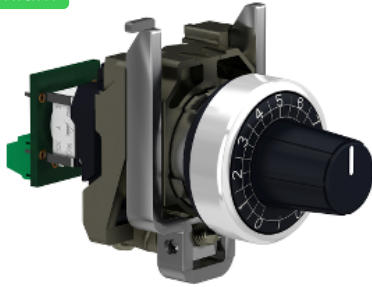


# Product datasheet

Specifications



## Complete potentiometer, metal, Ø22, 10K

XB4BD912R10K

EAN Code : 3606480985010

### Main

Range of product	Harmony XB4
Product or component type	Potentiometer
Device short name	XB4
Head type	Standard
Device presentation	Complete product

### Complementary

Bezel material	Chromium plated metal
Mounting diameter	22 mm
Product compatibility	Ø 6 mm shaft
Sale per indivisible quantity	1
CAD overall width	30 mm
CAD overall height	47 mm
CAD overall depth	82 mm
Net weight	0.095 kg
Protective treatment	TH
Ambient air temperature for storage	-40...70 °C
Ambient air temperature for operation	-40...70 °C
Electrical shock protection class	Class II conforming to IEC 60536
IP degree of protection	IP66 conforming to IEC 60529 IP69 conforming to IEC 60529 IP69K conforming to IEC 60529
NEMA degree of protection	NEMA 13 NEMA 4X
Resistance to high pressure washer	7000000 Pa at 55 °C, distance : 0.1 m
IK degree of protection	IK06 conforming to IEC 50102
Standards	UL 508 EN/IEC 60947-1 CSA C22.2 No 14
Product certifications	CSA BV

	UL listed
<b>Shape of signaling unit head</b>	Round
<b>Operator profile</b>	knurled knob, with (white)
<b>[Us] rated supply voltage</b>	<= 30 V AC <= 42 V DC
<b>Rated power in W</b>	1 W at 70 °C
<b>Precision of internal conversion resistor</b>	+/-10%
<b>Potentiometer characteristic</b>	Linear
<b>Mechanical durability</b>	50000 cycles
<b>Ohmic value</b>	10000 Ohm
<b>Material</b>	Cermet
<b>Vibration resistance</b>	5 gn (f= 2...500 Hz) conforming to IEC 60068-2-6
<b>Shock resistance</b>	30 gn (duration = 18 ms) for half sine wave acceleration conforming to IEC 60068-2-27 50 gn (duration = 11 ms) for half sine wave acceleration conforming to IEC 60068-2-27
<b>Main group</b>	Potentiometer
<b>Group of product</b>	Potentiometer knurled knob
<b>Colour of marking</b>	White

## Packing Units

<b>Unit Type of Package 1</b>	PCE
<b>Number of Units in Package 1</b>	1
<b>Package 1 Height</b>	5.3 cm
<b>Package 1 Width</b>	4.4 cm
<b>Package 1 Length</b>	8.2 cm
<b>Package 1 Weight</b>	105 g
<b>Unit Type of Package 2</b>	S02
<b>Number of Units in Package 2</b>	40
<b>Package 2 Height</b>	15 cm
<b>Package 2 Width</b>	30 cm
<b>Package 2 Length</b>	40 cm
<b>Package 2 Weight</b>	4.518 kg
<b>Unit Type of Package 3</b>	P06
<b>Number of Units in Package 3</b>	320
<b>Package 3 Height</b>	45 cm
<b>Package 3 Width</b>	80 cm
<b>Package 3 Length</b>	60 cm
<b>Package 3 Weight</b>	44.772 kg

## Offer Sustainability

<b>Sustainable offer status</b>	Green Premium product
<b>REACH Regulation</b>	<a href="#">REACH Declaration</a>
<b>EU RoHS Directive</b>	Pro-active compliance (Product out of EU RoHS legal scope) <a href="#">EU RoHS Declaration</a>
<b>Mercury free</b>	Yes

---

<b>China RoHS Regulation</b>	<a href="#">China RoHS declaration</a>
<b>RoHS exemption information</b>	Yes
<b>Environmental Disclosure</b>	<a href="#">Product Environmental Profile</a>
<b>Circularity Profile</b>	<a href="#">End of Life Information</a>
<b>WEEE</b>	The product must be disposed on European Union markets following specific waste collection and never end up in rubbish bins

---

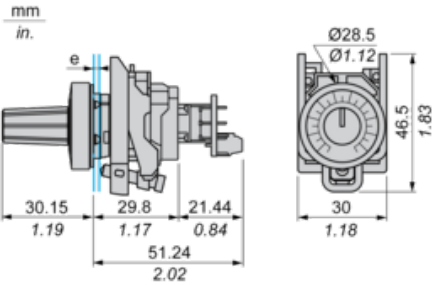
## **Contractual warranty**

---

<b>Warranty</b>	18 months
-----------------	-----------

**Dimensions**

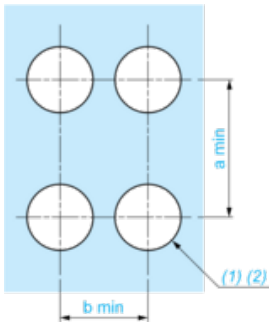
---



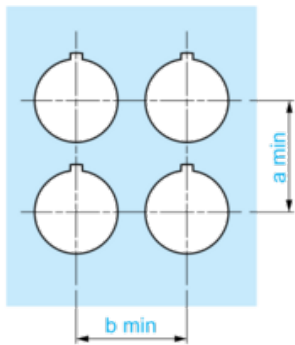
e: Panel thickness: 1 mm to 6 mm / 0.03 in. to 0.24 in

**Panel Cut-out for Pushbuttons, Switches and Pilot Lights (Finished Holes, Ready for Installation)**

**Connection by Screw Terminals or Plug-in Connectors**

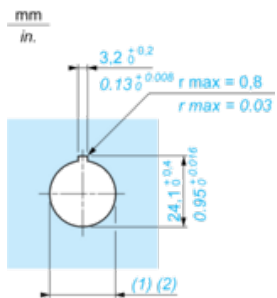


**Connection by Faston Connectors**



Connections	a in mm	a in in.	b in mm	b in in.
By screw clamp terminals or plug-in connector	40	1.57	30	1.18
By Faston connectors	45	1.77	32	1.26

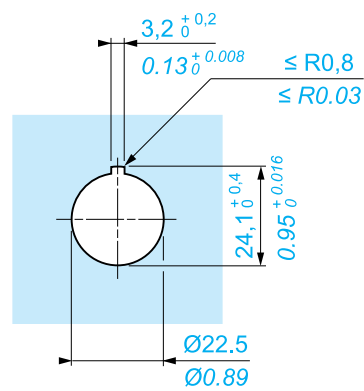
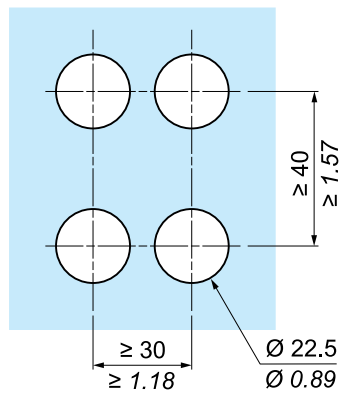
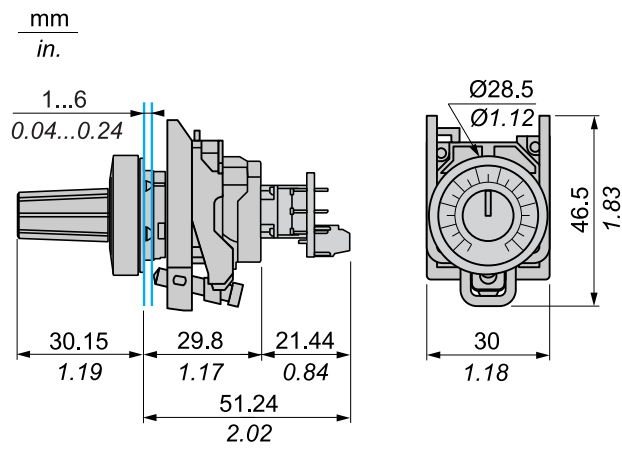
**Detail of Lug Recess**



(1) Diameter on finished panel or support

(2)  $\text{Ø}22.5 \text{ mm}$  recommended ( $\text{Ø}22.3 \text{ }_0^{+0.4}$ ) /  $\text{Ø}0.89 \text{ in.}$  recommended ( $\text{Ø}0.88 \text{ in. }_0^{+0.016}$ )

**Dimensions**



**Recommended replacement(s)**