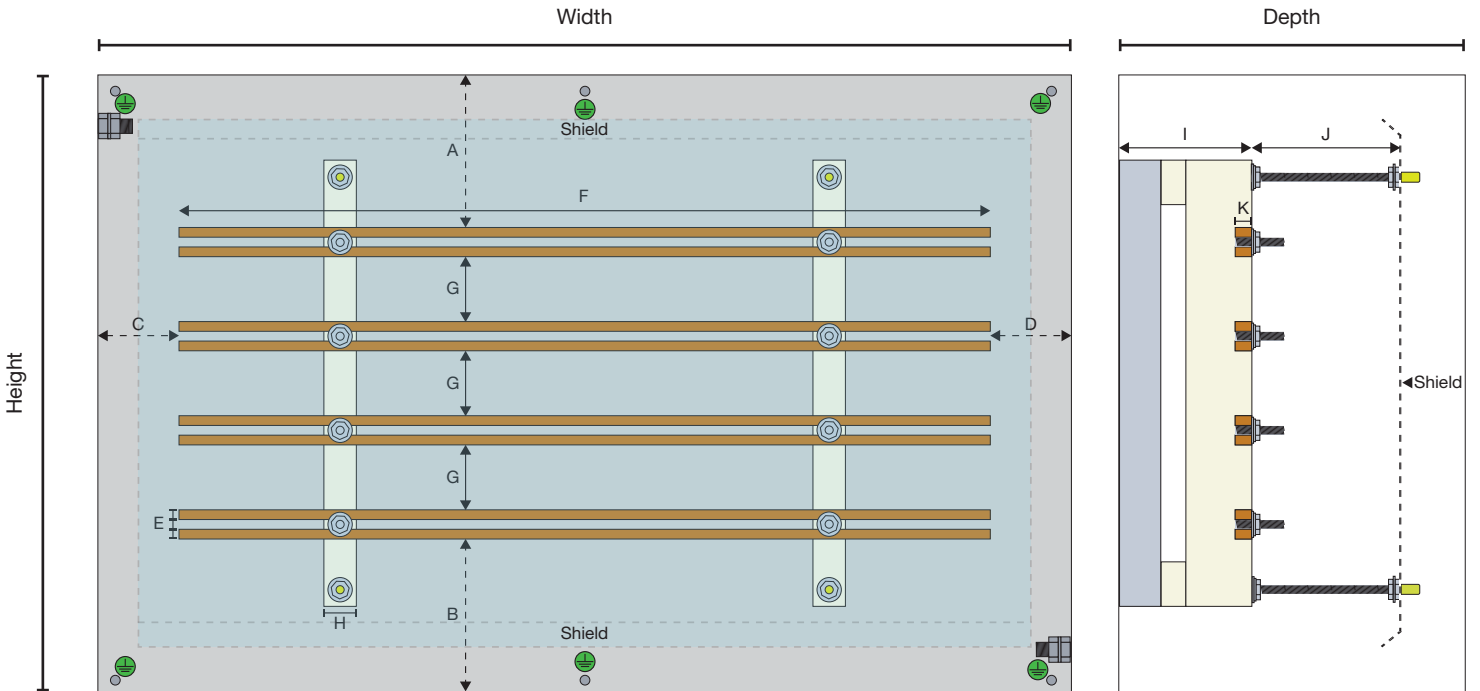


Part Number	Rating	Pole	Voltage	Height	Width	Depth	Weight	No. Of Supports	A	B	C	D	E	F	G	H	I	J	K
ERSBB20/6	200A	4 Pole	415 V	380	600	210	15 kg	2	94	94	50	50	6 / 6 / 6	500	40	20	80	90	10
ERSBB20/9	200A	4 Pole	415 V	380	900	210	21 kg	3	94	94	50	50	6 / 6 / 6	800	40	20	80	90	10
ERSBB20/12	200A	4 Pole	415 V	380	1200	210	27 kg	4	94	94	50	50	6 / 6 / 6	1100	40	20	80	90	10
ERSBB20/15	200A	4 Pole	415 V	380	1500	210	36 kg	5	94	94	50	50	6 / 6 / 6	1400	40	20	80	90	10
ERSBB20/18	200A	4 Pole	415 V	380	1800	210	41 kg	6	94	94	50	50	6 / 6 / 6	1700	40	20	80	90	10
ERSBB20/21	200A	4 Pole	415 V	380	2100	210	49 kg	7	94	94	50	50	6 / 6 / 6	2000	40	20	80	90	10
ERSBB40/6	400A	4 Pole	415 V	380	600	210	16 kg	2	94	94	50	50	6 / 6 / 6	500	40	20	80	90	20
ERSBB40/9	400A	4 Pole	415 V	380	900	210	22 kg	3	94	94	50	50	6 / 6 / 6	800	40	20	80	90	20
ERSBB40/12	400A	4 Pole	415 V	380	1200	210	28 kg	4	94	94	50	50	6 / 6 / 6	1100	40	20	80	90	20
ERSBB40/15	400A	4 Pole	415 V	380	1500	210	37 kg	5	94	94	50	50	6 / 6 / 6	1400	40	20	80	90	20
ERSBB40/18	400A	4 Pole	415 V	380	1800	210	42 kg	6	94	94	50	50	6 / 6 / 6	1700	40	20	80	90	20
ERSBB40/21	400A	4 Pole	415 V	380	2100	210	50 kg	7	94	94	50	50	6 / 6 / 6	2000	40	20	80	90	20
ERSBB63/6	630A	4 Pole	415 V	380	600	210	19 kg	2	94	94	50	50	6 / 6 / 6	500	40	20	80	90	25
ERSBB63/9	630A	4 Pole	415 V	380	900	210	27 kg	3	94	94	50	50	6 / 6 / 6	800	40	20	80	90	25
ERSBB63/12	630A	4 Pole	415 V	380	1200	210	35 kg	4	94	94	50	50	6 / 6 / 6	1100	40	20	80	90	25
ERSBB63/15	630A	4 Pole	415 V	380	1500	210	45 kg	5	94	94	50	50	6 / 6 / 6	1400	40	20	80	90	25
ERSBB63/18	630A	4 Pole	415 V	380	1800	210	53 kg	6	94	94	50	50	6 / 6 / 6	1700	40	20	80	90	25
ERSBB63/21	630A	4 Pole	415 V	380	2100	210	62 kg	7	94	94	50	50	6 / 6 / 6	2000	40	20	80	90	25
ERSBB80/6	800A	4 Pole	415 V	380	600	210	21 kg	2	94	94	50	50	6 / 6 / 6	500	40	20	80	90	40
ERSBB80/9	800A	4 Pole	415 V	380	900	210	28 kg	3	94	94	50	50	6 / 6 / 6	800	40	20	80	90	40
ERSBB80/12	800A	4 Pole	415 V	380	1200	210	36 kg	4	94	94	50	50	6 / 6 / 6	1100	40	20	80	90	40
ERSBB80/15	800A	4 Pole	415 V	380	1500	210	47 kg	5	94	94	50	50	6 / 6 / 6	1400	40	20	80	90	40
ERSBB80/18	800A	4 Pole	415 V	380	1800	210	55 kg	6	94	94	50	50	6 / 6 / 6	1700	40	20	80	90	40
ERSBB80/21	800A	4 Pole	415 V	380	2100	210	64 kg	7	94	94	50	50	6 / 6 / 6	2000	40	20	80	90	40



! IMPORTANT SAFETY NOTICE !

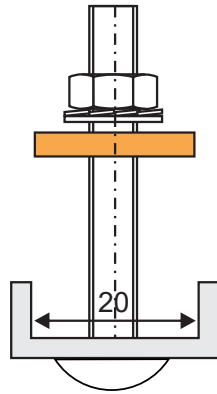
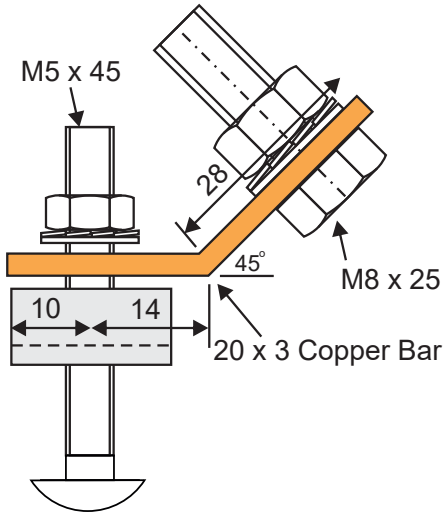
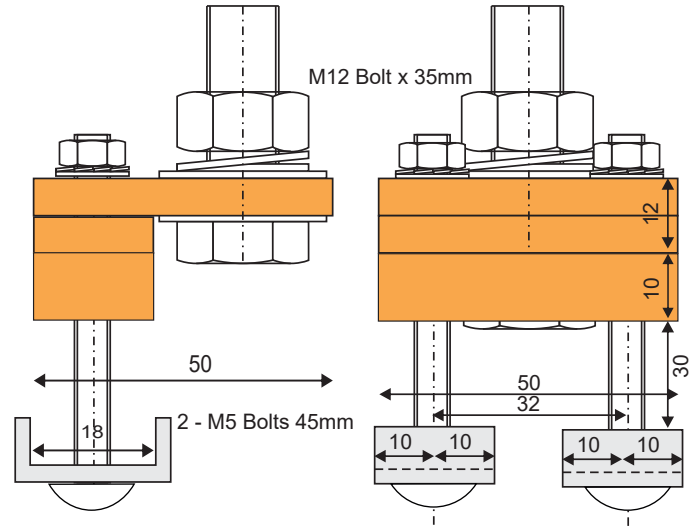
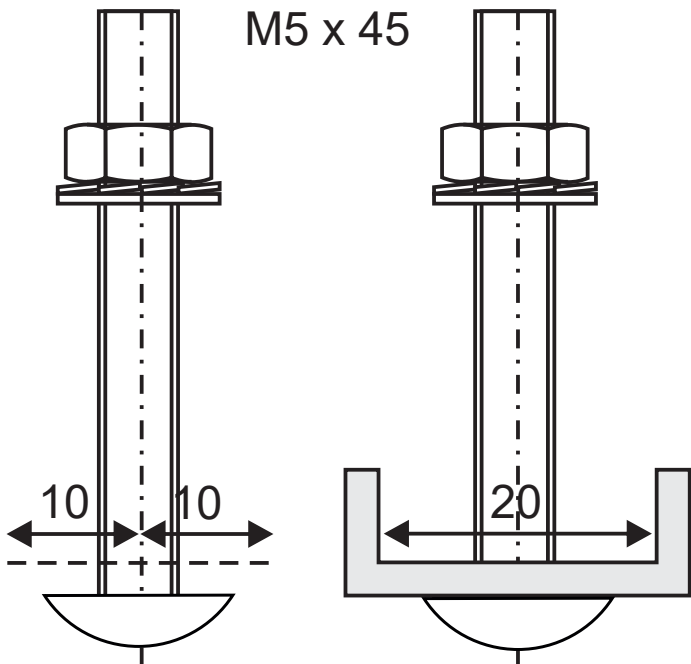
It is the responsibility of the person installing the electrical equipment to ensure the installation meets the requirements of the IET wiring regulation and is therefore 'fit for purpose'. Factors such as correct selection of components, cable sizing, protective devices and earth bonding are all critical and should be checked prior to full testing and power-up.

Any other regulations applicable to the equipment being installed such as the Machinery Directive and current Health and Safety legislation must be adhered to.

Terminals, including factory fitted should be checked periodically to ensure correct tightness. Hank nuts, if used, must be well supported to achieve required torque settings.

DO NOT USE POWER TOOLS ON THESE PRODUCTS!

Part Number	For Use With	Type	Recommended Cable Size	Bolt Size
ERSBCT2	200A-800A	Angled lug terminal busbar clamp	70mm ²	M8
ERSBCT3	200A-800A	Flat lug terminal busbar clamp	240mm ²	M12
ERSBCT4	630A-800A	Flat lug terminal busbar clamp	50mm ²	M6
ERSBCT5	200A-800A	Angled lug terminal busbar clamp	95mm ²	M10

ERSBCT2

ERSBCT3

ERSBCT4

ERSBCT5
