



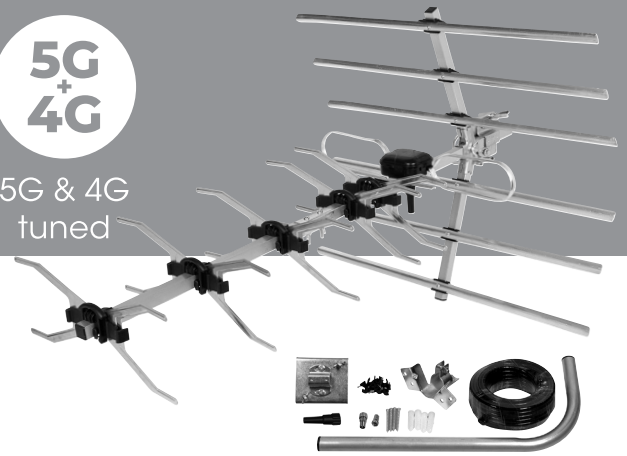
32 Element Medium Gain Outdoor TV Aerial Kit



27887VK

User Guide

5G & 4G tuned



Congratulations on the purchase of your medium gain Yagi TV aerial. The aerial is ideal for the reception of all available signals in medium and strong signal areas.

- Tuned to prevent interference from 5G/4G mobile signals
- Easy to assemble with clip-on dipole
- Receives UHF, DVB-T and DVB-T2 frequencies
- Connection: F type

General Safety Precautions

Do not undertake work outdoors at height unless you are competent in the use of ladders and other access equipment. Always use correct equipment, observe appropriate safety precautions and follow manufacturers instructions. If in doubt consult a professional installer.

Before starting installation check structure is sound and check for hidden wiring or plumbing.

When working on an installation outside, beware of overhead power lines.

Observe safe working practices, tread carefully on roofs and ensure adequate lighting is available if working in loft or roof space.

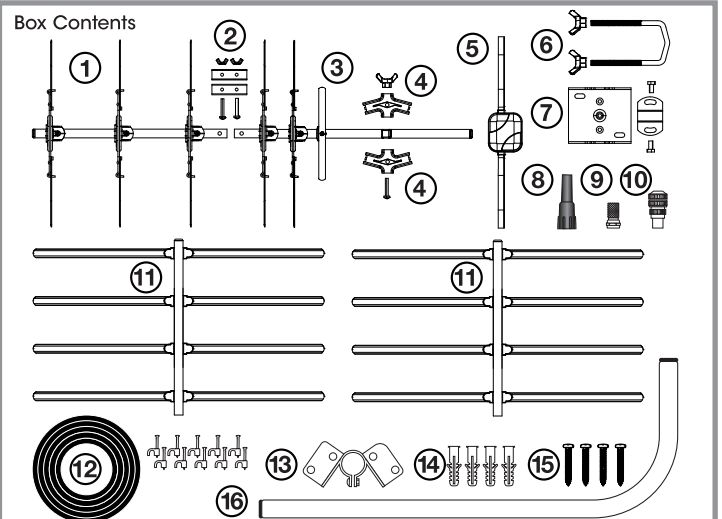
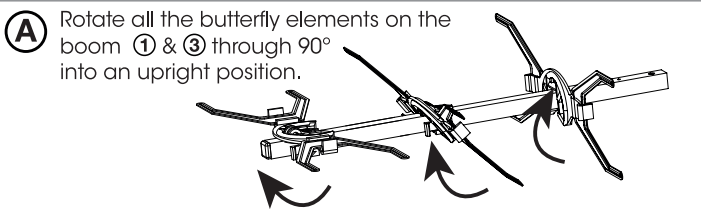
Before making any connections switch electricity off at the mains.

To avoid injury always route cables or wiring carefully. Ensure cable is correctly routed before fixing into position, taking care not to overtighten cable clips.

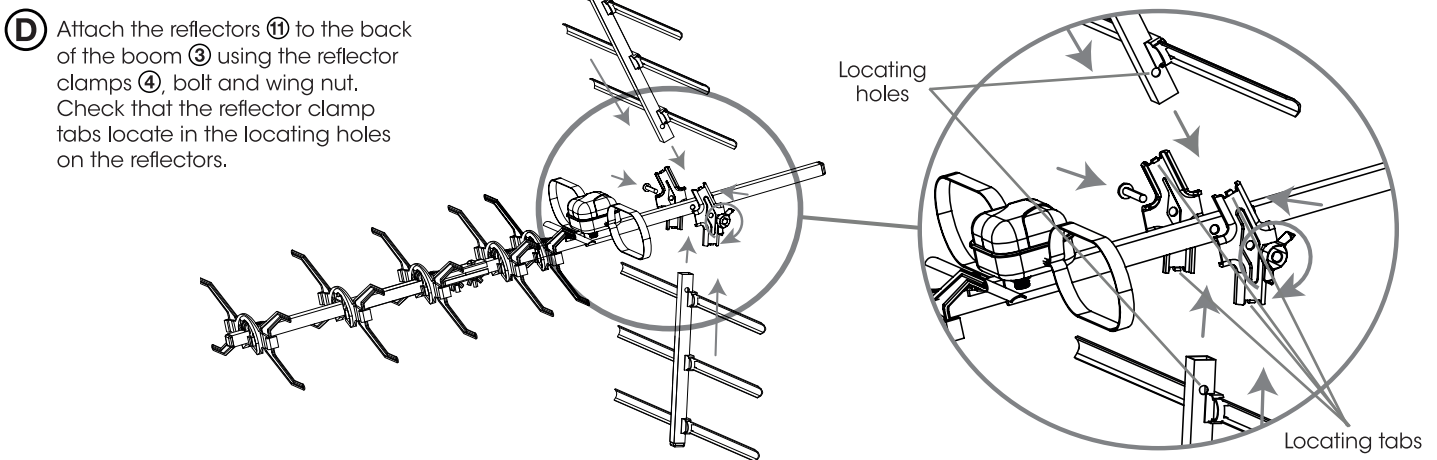
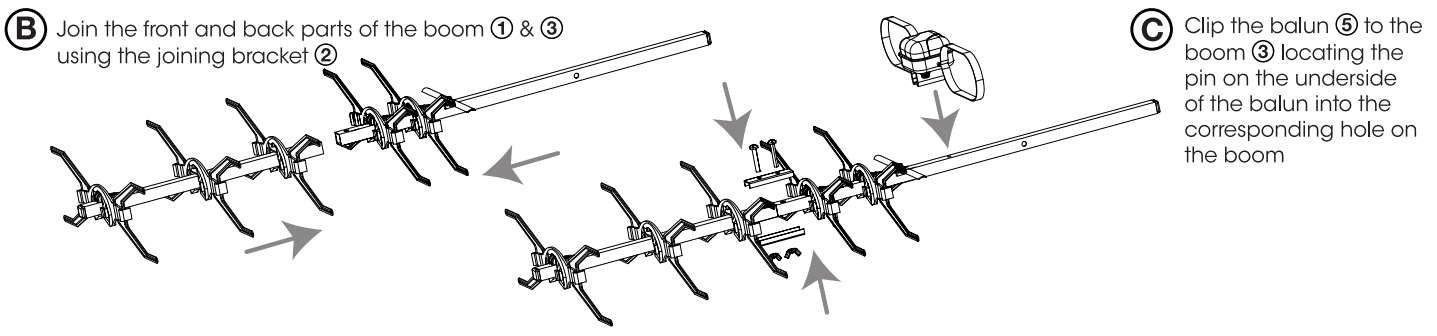
This kit contains small parts - keep out of reach of children.

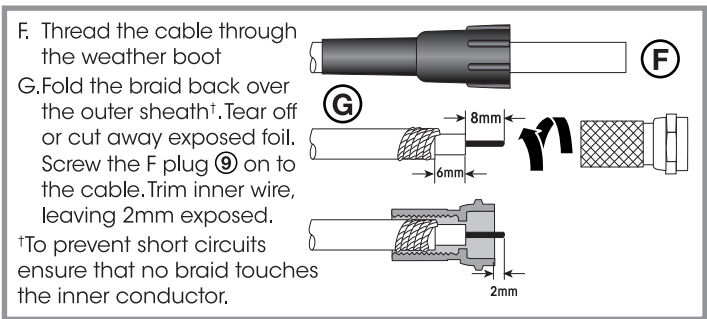
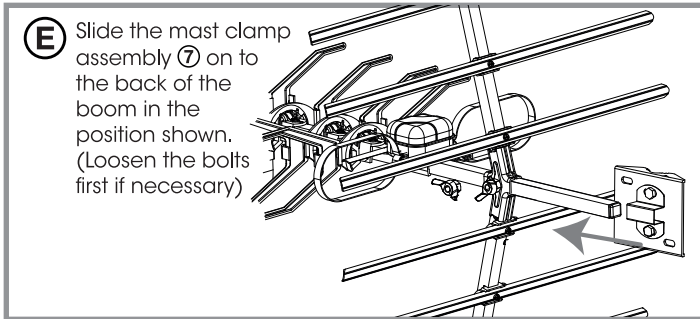
After installation make regular maintenance checks for wear and tear.

Aerial assembly



- | | |
|---|------------------------------|
| 1. Boom (front) x1 | 8. Weather Boot x1 |
| 2. Boom joining bracket x1 (inc. bolts & wing nuts) | 9. F Plug x1 |
| 3. Boom (back) x1 | 10. Coax Plug x1 |
| 4. Reflector clamps x2 (inc. bolt & wing nut) | 11. Reflectors x2 |
| 5. Balun and dipole x1 | 12. 10m Coax cable and clips |
| 6. V-Bolt and nuts | 13. Pole mounting bracket x1 |
| 7. Mast clamp assembly x1 | 14. Wallplugs x4 |
| | 15. Coach screws x4 |
| | 16. L Cranked pole x1 |





Installation

For best results the aerial should be mounted on an outdoor aerial mast and pointed in the direction of the nearest transmitter* making sure it is in a position where the transmitter signal will not be blocked by nearby trees and buildings. If you are in any doubt about the direction in which the aerial should be pointing or the orientation of the aerial (horizontal for main transmitter, vertical for relay transmitter) check your neighbours' aerals. If mounting on an existing mast check that the mast is in good condition and firmly fixed.

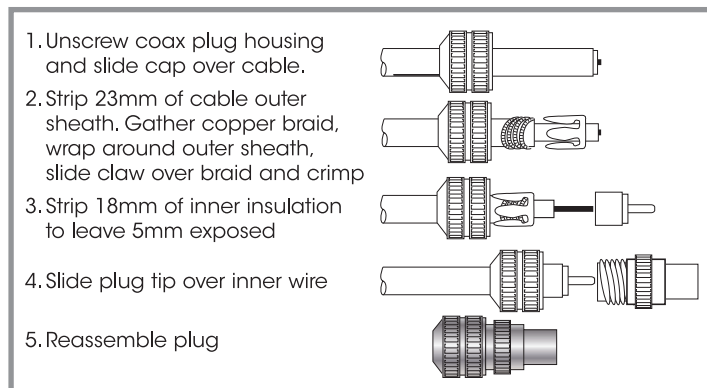
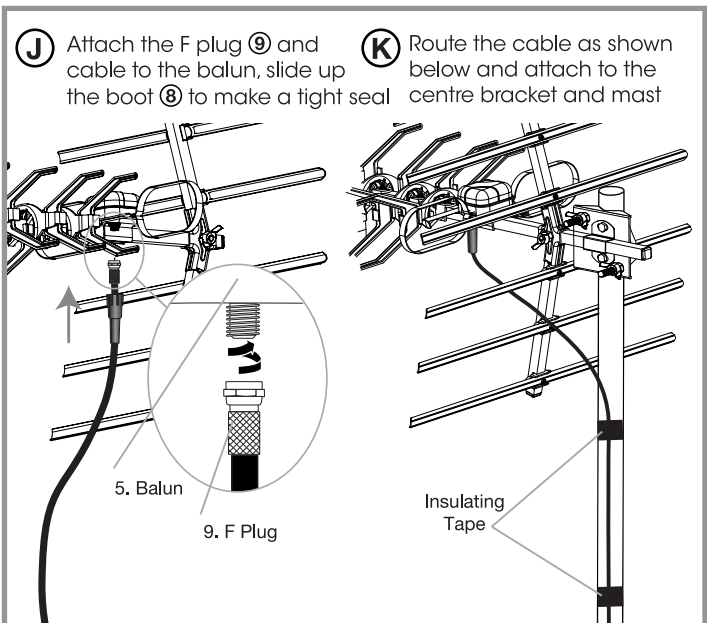
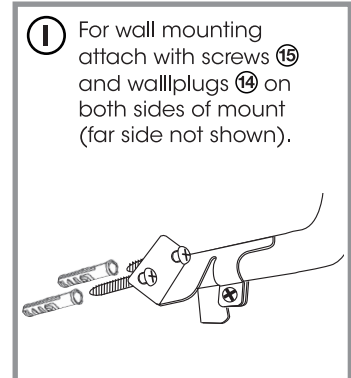
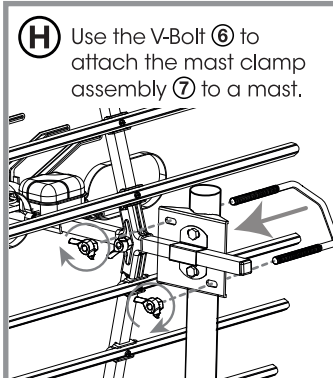
Prepare one end of the coax cable and attach the F connector supplied ⑨ (Fig. F & G).

H. Using the clamp and V-bolt ⑥ & ⑦ to fix the aerial to the mast.

I. Alternatively for loft mounting the pole mount and bracket ⑫ & ⑬ supplied can be fitted to a roof timber (use screws ⑮ only) or to a suitably sound indoor wall surface using screws and wallplugs ⑮ & ⑭ and the mast clamp attached to the pole.

J. & K. Attach and run the coax download as shown. The other end of the download can be terminated with the coax plug ⑩ supplied or connected to a suitable interior wall outlet.

After the aerial direction has been fine tuned for best reception tighten the nuts on the V-Bolt ⑥ firmly until the aerial is securely fixed to the mast.



Troubleshooting

No picture:

Check all the connections from aerial to TV.

Poor picture:

Check all the connections from aerial to TV.

Check aerial is properly aligned to the correct transmitter.

If the aerial has been loft mounted try mounting outside.

Make sure new digital coax cable has been used throughout the installation.

Check the transmitter signal is not obstructed by nearby trees or buildings.

If in a very weak signal area or for long cable runs, installing a masthead amplifier will improve the signal.

If in a strong signal area the signal strength may need to be reduced by fitting an attenuator.

For further information, please contact:

Technical Support: www.philex.com/products/technical-support/

Other Useful Websites for Digital Advice:

*To find out what DTT channels should be available locally and to find out where your nearest transmitter is (distance and compass bearing) visit: <http://www.wolfbane.net/cgi-bin/tvd.exe>

Specifications

Frequency Range MHz	470-694
TV Channels	21-48
Forward Gain dBi	12
Front/Back Ratio dB	>15
Beam Width +/- deg.	H30° /V35°
Connector	F-Type
Length	800mm
Width	500mm

WEEE symbol. Waste electrical and electronic products should not be disposed of with household waste. Please recycle where facilities exist. Check with your Local Authority or local store for recycling advice.



UK Distributor
Philex Electronic Ltd,
Kingfisher Wharf, London Road,
Bedford MK42 0NX,
United Kingdom.

EU Distributor
Philex Electronic Ireland Ltd,
Robwyn House, Corrintra,
Castleblayney,
Co. Monaghan,
A75 YX76, Ireland.



© Philex Electronic Ltd 2022. vb1.1