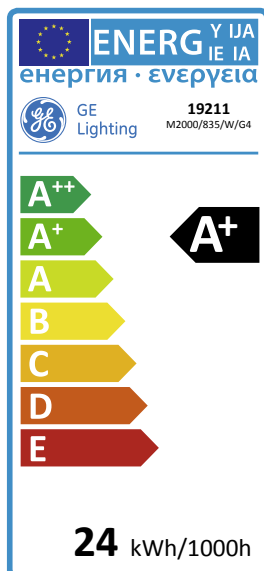




GE
Lighting



24
kWh/1000h

A+
energy class

105
lumens/watt

Infusion™ M2000 Series M2000/835/W/G4 19211

Product information

The **GE Infusion™ LED module** is a game-changing platform, designed to open up new possibilities for the use of longlasting, controllable, low maintenance LED solutions in retail, hospitality and other environments where the quality of light is critical to the customer/visitor experience.

Features & Benefits

- Wide range of different lighting solutions from one platform
- Modular solution for quick, tool-free upgrading
- Lowest cost of ownership in the long term
- Long-term colour consistency
- Four colour temperature options 2700K, 3000K, 3500K, 4000K for crisp white light
- High colour rendering - CRI ranges to Ra > 90
- Colour point stabilises by 1000 hours and is maintained within 2 MacAdam ellipses
- Exceptionally stable CRI across all colour ratings
- Excellent lumen maintenance (L85 at 50,000 hours)



Application areas



Retail



Office



Education



Healthcare



Hospitality



Museums and
Libraries

Product data

Product Code	19211
Dimmability	Yes
Certifications	CB/CE
Mounting type	Twist & Lock
Body Colour	White
Dimensions	Diameter = 69.75mm; Length = 20.45mm
LEDs per Module	10
Brand	General Electric (GE)

Performance data

Nominal beam angle [°]	120
Rated Lumens [lm]	2200
Weighted energy consumption [kWh/1000h]	23.1
Energy efficiency class (EEC)	A+
Rated Life [h]	50000
Colour Variation (MacAdam Elipse)	< 4-steps
Nominal correlated colour temperature (CCT) [K]	3500
Nominal lumens [lm]	2200
Colour Rendering Index (CRI) [Ra]	80

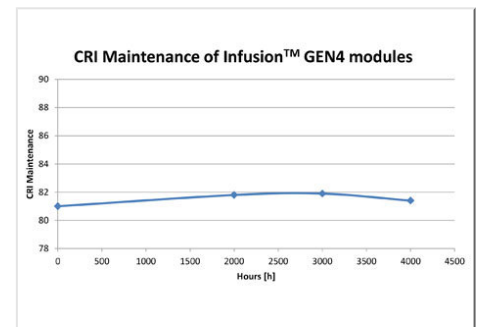
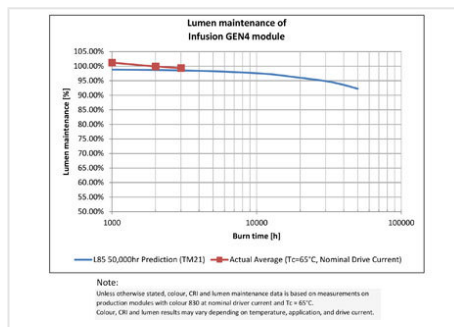
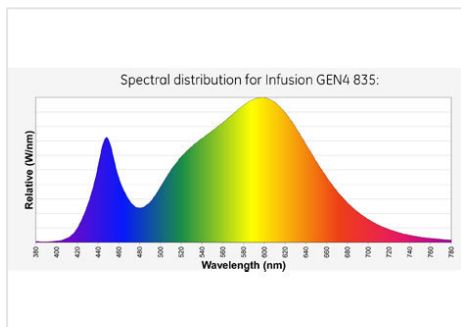
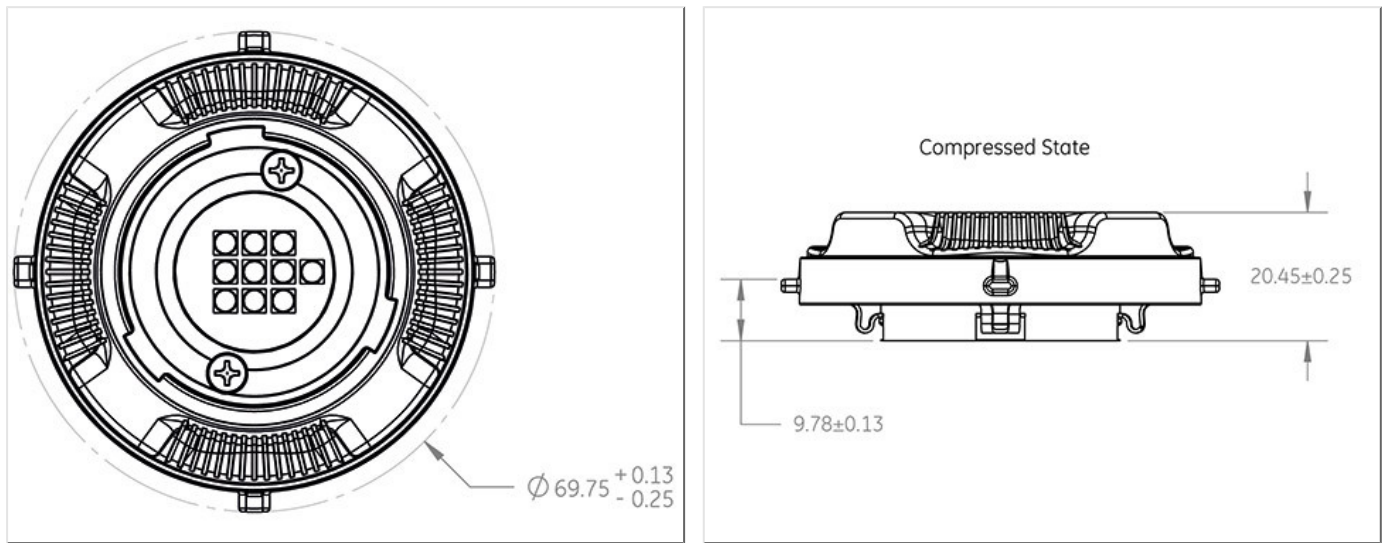
Electrical data

Rated power [W]	21.0
Drive Current [mA]	1400
Nominal power [W]	21
Nominal lamp voltage [V]	15

Logistic data

Pack Quantity	6
Product status	Available

Technical drawing



Downloads & Links

[Go to the catalog site \(HTTP\)](#)

[Installation Guide \(HTTP\)](#)

[LED Infusion™ M2000 Series Generation4 Module Data sheet \(PDF\)](#)

[All technical drawings \(DWG, PDF, 3D\) \(HTTP\)](#)

[Product 3D models \(HTTP\)](#)

[All IES/LDT files \(HTTP\)](#)

[Lighting design tools & calculators \(HTTP\)](#)

[Product 3D models \(HTTP\)](#)

[Certificate for the Quality Management System of GE Lighting EMEA \(PDF\)](#)

[Certificate for the Environmental Management System of GE Lighting EMEA \(PDF\)](#)