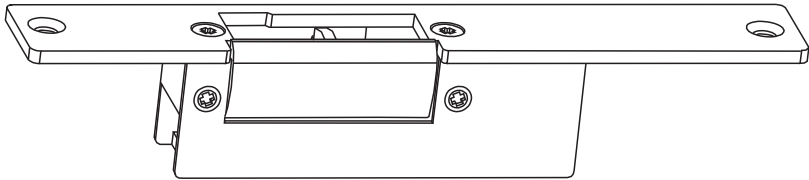


A1SL Manual

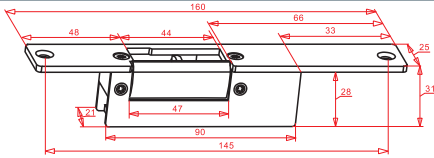
Aperta Fail Secure Flush Strike Lock



The latest product manuals and software is available online:
https://www.espuke.com/technical_support

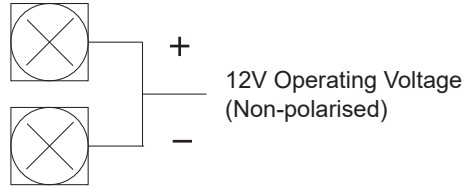


Dimensions

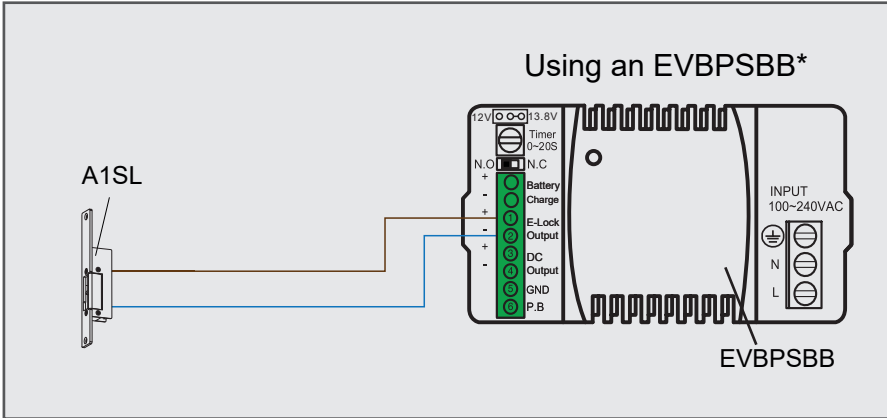


Size: 160x25x31mm

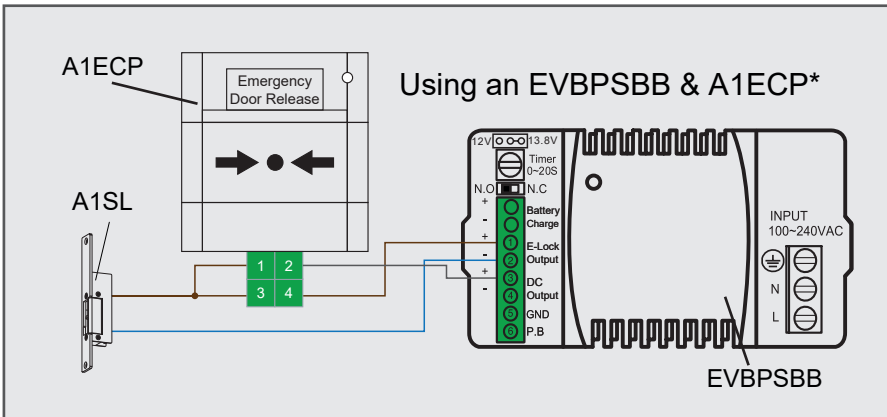
Operating Voltage



Wiring Examples



Notice: EVBPSBB or A1ECP not included



Contact Details



Elite Security Products UK, Unit 7 Target Park, Shawbank Road, Lakeside, Redditch, Worcestershire, B98 8YN
 Tel: +44(0) 1527 51 51 50 Fax: +44(0) 1527 15 01 43 Email: info@espuk.com
 Registered in England, Company Registration Number: 02769392, VAT Registration: GB614686525

For more product information please visit www.espuk.com
 E&OE - Errors and Omissions Excepted. 122

••••• ScolmoreGROUP

