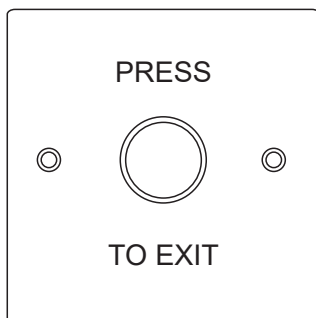


A1EXIT Manual

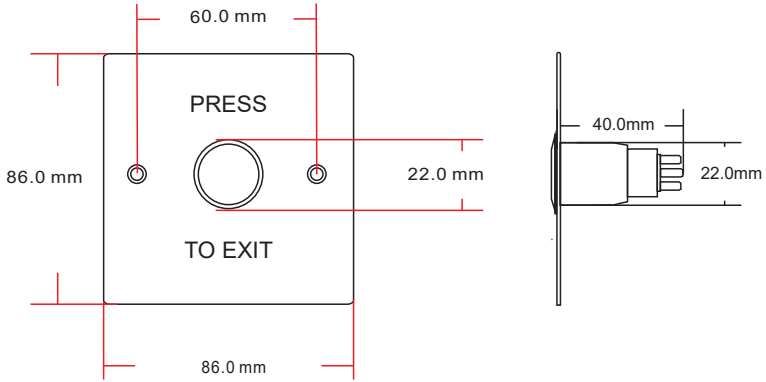
Aperta Flush Stainless Steel Exit button



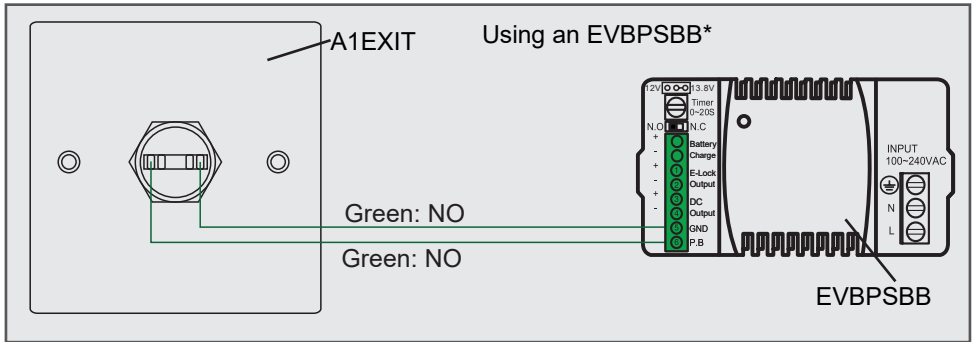
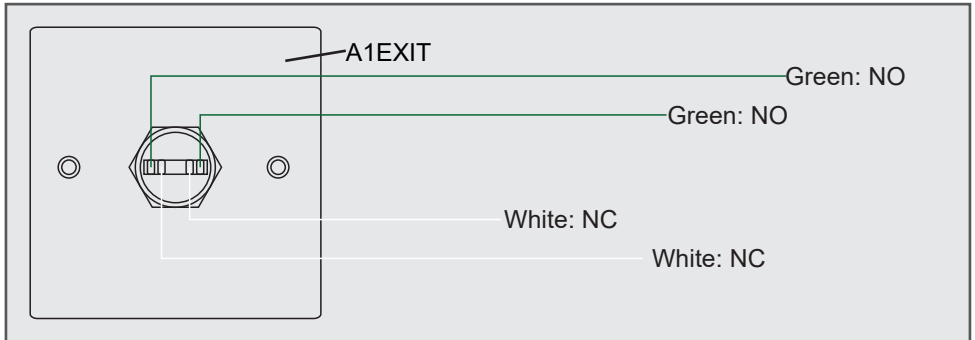
The latest product manuals and software is available online:
https://www.espuk.com/technical_support



Dimensions



Connections



Contact Details



Elite Security Products UK, Unit 7 Target Park, Shawbank Road, Lakeside, Redditch, Worcestershire, B98 8YN
 Tel: +44(0) 1527 51 51 50 Fax: +44(0) 1527 15 01 43 Email: info@espuk.com
 Registered in England, Company Registration Number: 02769392, VAT Registration: GB614686525

For more product information please visit www.espuk.com
 E&OE - Errors and Omissions Excepted. I22

● ● ● ● ● **Scolmore**GROUP

