



# GU10 Fire Rated Downlights

## Installation Instructions

 **Please read these instructions carefully before installation**  
 Leave a copy for the user/maintenance engineer for future reference

### Important Safety Information

- It is recommended that this fitting is installed, inspected and maintained by a qualified electrician.
- Installation should be carried out in accordance with the latest edition of the IET Wiring Regulations (BS 7671) and the latest Building Regulations. If in doubt, consult a qualified electrician.
- These products are designed for connection to a 220-240V AC~50/60Hz mains supply.
- Before commencing any installation or maintenance work, ensure that the electrical mains supply is isolated and circuit fuses are removed or switched off.
- Ensure that all electrical connections are tight with no loose strands including factory made connections.
- This product is Fire Rated and complies with building regulations Part B. suitable for 30, 60 or 90 minute fire rated ceilings.
- Note the IP rating of the luminaire when deciding the location for installation.
- This luminaire is suitable for indoor use only.
- This is a Class I construction luminaire which must be earthed.
- This luminaire is suitable for mains powered LED GU10 lamps Max. 7W. GU10 lamp sizes can vary, ensure that your chosen lamp will fit the luminaire enclosure.
- Never exceed the maximum lamp wattage and ensure that the lamp is correctly located into the lampholder before use.
- Do not perform insulation resistance tests on a lighting circuit with LED lamps installed, this may cause irreparable damage to electronic components.
- When removing the lamp or luminaire for maintenance, allow sufficient time for the product to cool before handling.
- This product is designed to use a replaceable light source by the end-user (LED Only). Replace any failed lamps immediately.

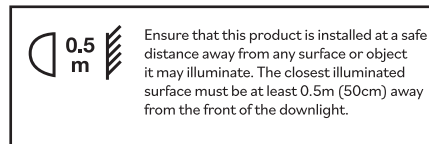
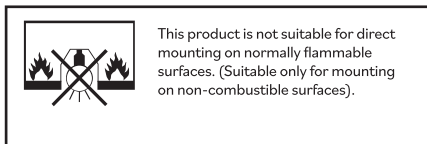
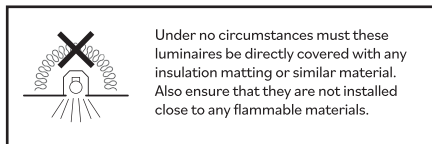
### Technical Specifications

Part No.	Description	Option	Colour Finish	Max. Wattage GU10 Lamp	Measurement A x B x E	Bezel Diameter C	Cut Out Diameter D	IP Rating*	Class Rating
<b>Fixed</b>									
LXFRDG/F/WH	GU10 Fire Rated Downlight	Fixed	White	7W LED	88 x 112 x 167mm	86mm	73mm	IP20	Class I
LXFRDG/F/SCH	GU10 Fire Rated Downlight	Fixed	Satin Chrome	7W LED	88 x 112 x 167mm	86mm	73mm	IP20	Class I
LXFRDG/F/CH	GU10 Fire Rated Downlight	Fixed	Chrome	7W LED	88 x 112 x 167mm	86mm	73mm	IP20	Class I
<b>Tilt</b>									
LXFRDG/T/WH	GU10 Fire Rated Downlight	Tilt	White	7W LED	88 x 112 x 177mm	96mm	86mm	IP20	Class I
LXFRDG/T/SCH	GU10 Fire Rated Downlight	Tilt	Satin Chrome	7W LED	88 x 112 x 177mm	96mm	86mm	IP20	Class I
LXFRDG/T/CH	GU10 Fire Rated Downlight	Tilt	Chrome	7W LED	88 x 112 x 177mm	96mm	86mm	IP20	Class I
<b>IP65</b>									
LXFRDG/IP65/WH	GU10 Fire Rated Downlight	IP65	White	7W LED	88 x 112 x 167mm	86mm	73mm	IP65	Class I
LXFRDG/IP65/SCH	GU10 Fire Rated Downlight	IP65	Satin Chrome	7W LED	88 x 112 x 167mm	86mm	73mm	IP65	Class I
LXFRDG/IP65/CH	GU10 Fire Rated Downlight	IP65	Chrome	7W LED	88 x 112 x 167mm	86mm	73mm	IP65	Class I


# Important Installation Information

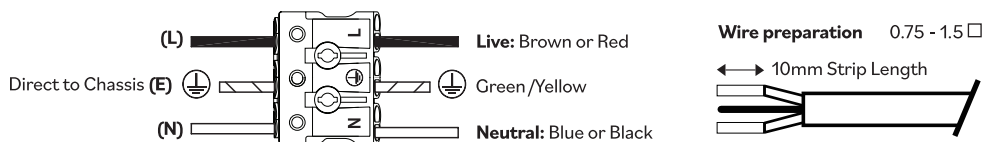
Always switch off the mains power supply before installation or servicing. Ensure that there is adequate free air ventilation around the luminaire at all times. Minimum clearance distances around the luminaire must be observed: 50mm above the top of the luminaire, 100mm to all sides of the luminaire and 0.5m minimum distance between each luminaire. Do not install this product into damp or newly plastered ceilings.

This luminaire should be mounted on a flat, smooth surface. Ensure that the mounting area is clean and free from any obstructions. The installation must not infringe on gas/water pipes or any other electrical cables or services which may be hidden behind the ceiling.

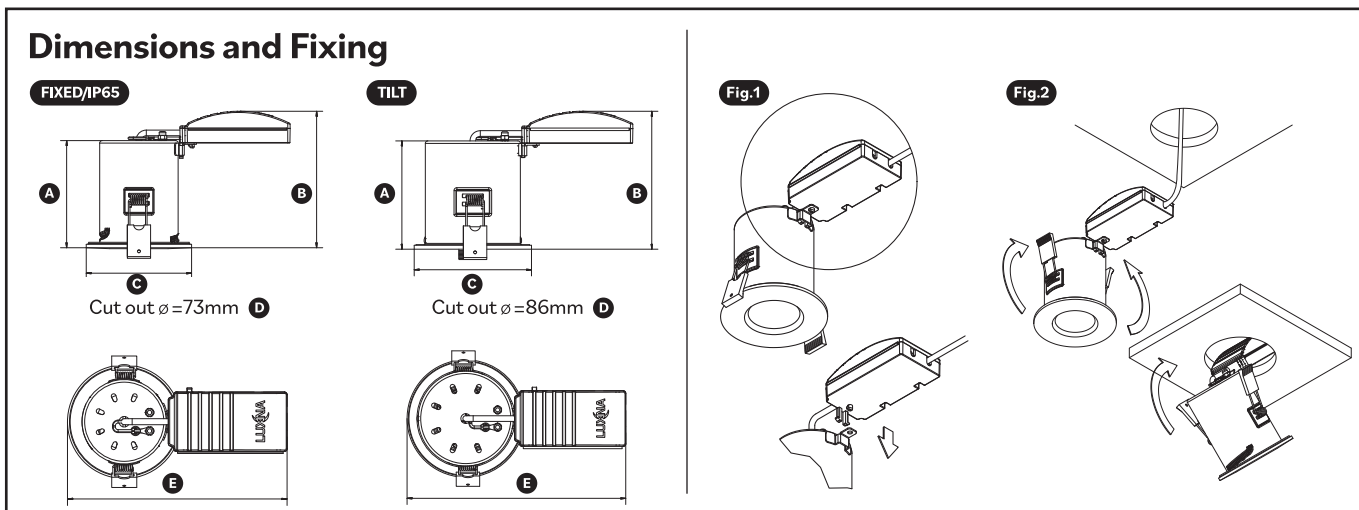


1. Select the required mounting position in the ceiling and accurately cut out the circular hole diameter for the luminaire type which is to be installed – see table overleaf for cut out sizes. Do not exceed the cut out diameter and ensure that luminaires are spaced adequately to provide clearance from any joists, beams or cables within the ceiling void.
2. Fit the terminal block enclosure onto the bracket at the top of the downlight housing – See **Fig.1** Pull the mains supply cable through the hole and connect into the terminal block. Ensure that the correct polarity is observed. This is a Class I product which must be earthed. The terminal block allows for 'Loop in / Loop out' connection.

**Class I Wiring**   
220 - 240V~50/60Hz



3. Feed the excess mains supply cable back through the hole and into the ceiling void. With the spring clips held in the upward position, insert the connector block and luminaire through the cut out hole and into the ceiling void – See **Fig.2** Take care not to trap any cables. The spring clips will locate onto the top of the ceiling surface to provide a secure installation. Ensure that the rubber seal ring is securely in place on the back of the bezel housing and that the luminaire is fitted centrally to the cut out hole.
4. Rotate and remove the front bezel of the luminaire to provide access to the lampholder.
5. Fit the correct lamp type into the spring clip located inside the front bezel. Connect the lampholder to the lamp pins and ensure that the lamp is securely located.
6. Ensure that any excess cable which is attached to the lampholder is pushed upwards and back through its entry hole point. Refit the front bezel securely to the luminaire housing.
7. Reconnect the mains power supply and test the installation for correct and satisfactory operation.



## Warranty

The 5 year standard product warranty against any defects in materials or workmanship commences from the original date of purchase. Should this product fail during the warranty period it will be repaired or replaced with the same or equivalent product free of charge, subject to the user providing the original receipt/invoice or proof of the original date of purchase and return of the faulty unit. If in our sole discretion, we are unable to repair or replace a defective product, we will refund the purchase price of the product. The warranty is invalid if in our judgment the product fails due to incorrect installation not conforming to our product instructions or installation within an improper working environment. The warranty will not apply if the product fails due to damage in storage, shipment, accident or misuse. Modification to the product in any way or removal of the batch number will void the warranty. Luxna Lighting does not accept responsibility for any installation, labour or travel costs which may be associated with the replacement or return of any faulty products. Our maximum liability under the terms of this warranty is limited to the purchase price of the product. Your statutory rights are not affected. Luxna Lighting reserves the right to alter product specifications without prior notification. Terms and conditions are also subject to change without prior notice.