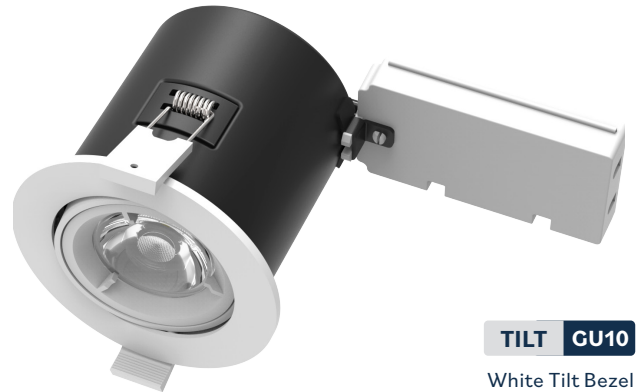


Tilt Bezel Fire Rated Downlight, Suitable for mains powered LED GU10 base lamps, IP20

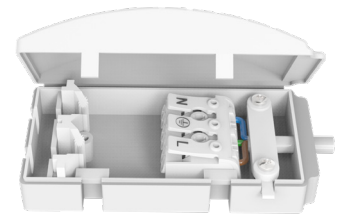
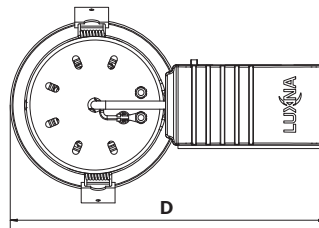
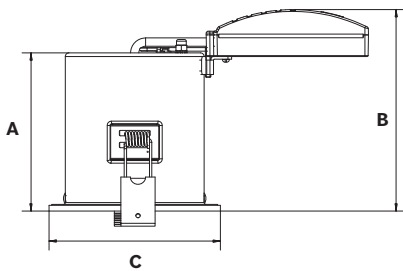
## Technical Specification:

Primary Materials	Steel housing, Diecast aluminium bezel
Terminal Block Connector	Push-Fit Terminals, Loop in/Loop Out
Wattage Max	7W LED
Lampholder	GU10 Cap
Ingress Protection	IP20
Fire Rating	30, 60, 90 Minute Ceilings
Sound Insulation Rating	Part E
Tilt Angle	+/- 25°
Safety Class Rating	Class I
Operating Temperature	-10°C to +40°C
Input Voltage & Frequency	AC220-240V 50/60Hz
Warranty*	5 Years
Lamp	Lamp not included



## Dimensions:

Tilt Bezel GU10 Downlight and Terminal connector



Tool-free installation, Push-fit terminals with loop in/loop out facility

## Product Range Data:

Part No.	Colour Finish	Dimensions A x B x C x D	Cut Out Ø	IP Rating	Class Rating	Weight
LXFRDG/T/WH	White	88 x 112 x 96 x 177mm	86mm	IP20	Class I	0.32kg
LXFRDG/T/SCH	Satin Chrome	88 x 112 x 96 x 177mm	86mm	IP20	Class I	0.32kg
LXFRDG/T/CH	Chrome	88 x 112 x 96 x 177mm	86mm	IP20	Class I	0.32kg

## Lamps: (Order Separately)

Part No.	Description
LXGU10LED/4.5WW	4.5W, GU10, 2700K, Non-Dimmable
LXGU10LED/4.5NW	4.5W, GU10, 4000K, Non-Dimmable
LXGU10LED/4.5CW	4.5W, GU10, 6000K, Non-Dimmable
LXGU10LED/5WWD	5W, GU10, 2700K, Dimmable
LXGU10LED/5NWD	5W, GU10, 4000K, Dimmable
LXGU10LED/5CWD	5W, GU10, 6000K, Dimmable



Satin Chrome Tilt Bezel



Chrome Tilt Bezel

\*Warranty terms and conditions apply

Product specifications and values may change due to developments and improvements in lighting technology. International standards set the tolerance in colour temperature, lumen output and connected power load at ±10%. The data values apply to an ambient temperature of +25°C. Specification details are subject to change without prior notification. E&OE. LXFRDGTV1.2.24