

Clear GLS

07635 FA7.3-BC27

Filament A60 (GLS) 7.3W BC (B22) 2700K Clear

- Linear LED filament provides a traditional appearance
- Save energy up to 90% compared with an incandescent filament lamp
- Even light distribution



Overview

The Kosnic LED Filament lamp has a traditional appearance and gives an even spread of light in all directions. It is also highly functional and efficient. The lamps can quickly replace filament products in domestic and hospitality lighting applications, and once in place rapid payback is achieved.



General Information

Ambient Temperature Range (°C)	-20°C to 40°C
IP Rating	IP20
Nominal Lifetime (h)	15,000 h
Protection Rating	Class II
Installation Area	Internal

Technical Summary

Product Code	FA7.3-BC27
Input Voltage Supply	220-240Vac 50/60Hz
Default Power	7.3 W
Power Factor	0.5
Default CCT	2,700 K
SDCM of CCT	<6
CRI	80
Dimmable	N
Flicker	<10%
Lumens Output Maximum	806 lm
Maximum Efficiency	110 lm/W
Nominal Lifetime	15,000 h
L80B10 Lifetime	15,000 h
Weight	32g
Dimensions (L x W x D) (mm)	104xØ60



Kosnic Lighting



KosnicUK



KosnicLightingUK



KosnicUK

Tel: 01635 523 713

Email: sales@kosnic.com

Kosnic.com

Overview

The Kosnic LED Filament lamp has a traditional appearance and gives an even spread of light in all directions. It is also highly functional and efficient. The lamps can quickly replace filament products in domestic and hospitality lighting applications, and once in place rapid payback is achieved.



General Information

Ambient Temperature Range (°C)	-20°C to 40°C
IP Rating	IP20
Nominal Lifetime (h)	15,000 h
Protection Rating	Class II
Installation Area	Internal

Technical	
Input Voltage Supply	220-240Vac 50/60Hz
Default Power	7.3 W
Power Factor	0.5
Default CCT	2,700 K
SDCM of CCT	<6
Flicker	<10%
Lumens Output Maximum	806 lm
Maximum Efficiency	110 lm/W
Nominal Lifetime	15,000 h
L80B10 Lifetime	15,000 h
Weight	32g
Dimensions (L x W x D) (mm)	104xØ60
CCT Words	Warm White
Ambient Temperature Range (°C)	-20°C to 40°C
Blue Light Hazard	RG1
Inrush Current (peak/duration) (A)	2.4A/1120us
Installation Area	Internal
L70B50 Lifetime (h)	15,000 h
L90 Lifetime (h)	5,000 h
Maximum Current Draw (mA)	45 mA
Protection Rating	Class II
IP Rating	IP20

EPREL - Light Source (LS)	
CRI	80
Dimmable	N
LS Anti-Glare Shield (Y/N)	N
LS Beam Angle correspondence (in 360°/120°/90°)	in 360°
LS Chromaticity Co-Ordinates (X)	0.463
LS Chromaticity Co-Ordinates (Y)	0.42
LS Colour Consistency in Mcadam Ellipses (Mains LED/OLED)	6
LS CRI (max)	84
LS CRI (min)	80
LS Depth (mm) - LS	60
LS Directional / Non Directional (DLS/NDLS)	NDLS
LS Displacement Factor	0.9
LS Energy Consumption in on-mode (kWh/1000H)	8
LS Energy Efficiency Class	E
LS Equivalent Power (W)	60
LS Flicker metric (pst LM) (x,x)	0.1
LS Height (mm) - LS	104
LS Light Source Cap Type (or other interface)	B22
LS Lighting Technology Used	LED
LS Lumen Maintenance Factor (x.xx)	0.93
LS Mains / Non-Mains (MLS/NMLS)	MLS
LS On-Mode Power (Pon) (W)	7.3
LS R9 CRI (LED/OLED)	0
LS Standby Power (Psb) (W)	0
LS Stroboscopic effect metric (SVM) (x,x)	0.1
LS Survival Factor (x.xx)	0.9
LS Width (mm) - LS	60
LS CCT (K)	2,700



Kosnic Lighting



KosnicUK



KosnicLightingUK



KosnicUK

Tel: 01635 523 713

Email: sales@kosnic.com

Kosnic.com

07635 FA7.3-BC27

LS Useful Luminous Flux (lm)

806 lm

Overview

The Kosnic LED Filament lamp has a traditional appearance and gives an even spread of light in all directions. It is also highly functional and efficient. The lamps can quickly replace filament products in domestic and hospitality lighting applications, and once in place rapid payback is achieved.



IP20



General Information

Ambient Temperature Range (°C)	-20°C to 40°C
IP Rating	IP20
Nominal Lifetime (h)	15,000 h
Protection Rating	Class II
Installation Area	Internal



Kosnic Lighting



KosnicUK



KosnicLightingUK



KosnicUK

Tel: 01635 523 713

Email: sales@kosnic.com

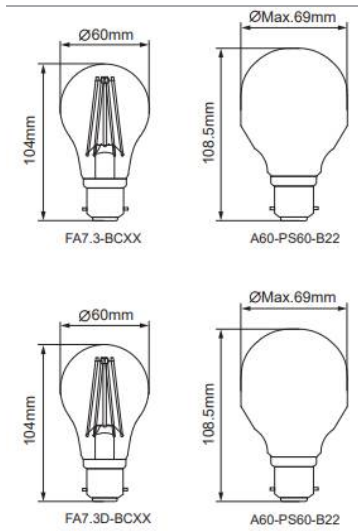
Kosnic.com

Clear GLS

07635 FA7.3-BC27

Overview

The Kosnic LED Filament lamp has a traditional appearance and gives an even spread of light in all directions. It is also highly functional and efficient. The lamps can quickly replace filament products in domestic and hospitality lighting applications, and once in place rapid payback is achieved.



General Information

Ambient Temperature Range (°C)	-20°C to 40°C
IP Rating	IP20
Nominal Lifetime (h)	15,000 h
Protection Rating	Class II
Installation Area	Internal



Kosnic Lighting



KosnicUK



KosnicLightingUK



KosnicUK

Tel: 01635 523 713

Email: sales@kosnic.com

Kosnic.com

Clear GLS

07635 FA7.3-BC27

Overview

The Kosnic LED Filament lamp has a traditional appearance and gives an even spread of light in all directions. It is also highly functional and efficient. The lamps can quickly replace filament products in domestic and hospitality lighting applications, and once in place rapid payback is achieved.

**IP20**

General Information

Ambient Temperature Range (°C)	-20°C to 40°C
IP Rating	IP20
Nominal Lifetime (h)	15,000 h
Protection Rating	Class II
Installation Area	Internal



Kosnic Lighting



KosnicUK



KosnicLightingUK



KosnicUK

Tel: 01635 523 713

Email: sales@kosnic.comKosnic.com