

Reon Candle

08115 C4.9-BC27

Candle 4.9W BC (B22) 2700K

- Save energy up to 90%
- Choices of 2700K, 4000K, 6500K
- Replacement for incandescent candle
- Long life of 15,000h
- Dimmable option available



Overview

The Classic shaped Candle from Kosnic is a selected line of energy saving retrofit LED lamps. Reliable, affordable and easy to install.



IP20



General Information

Ambient Temperature Range (°C)	-20°C to 40°C
IP Rating	IP20
Nominal Lifetime (h)	15,000 h
Protection Rating	Class II
Installation Area	Internal

Technical Summary

Product Code	C4.9-BC27
Input Voltage Supply	220-240Vac 50/60Hz
Default Power	4.9 W
Power Factor	0.55
Default CCT	2,700 K
SDCM of CCT	<6
CRI	80
Dimmable	N
Flicker	<1%
Lumens Output Maximum	470 lm
Maximum Efficiency	96 lm/W
L80B10 Lifetime (h) @Ta 25 °C	9,000 h
Nominal Lifetime (h)	15,000 h
Weight	20g
Dimensions (L x W x D) (mm)	103xØ35



Kosnic Lighting



KosnicUK



KosnicLightingUK



KosnicUK

Tel: 01635 523 713

Email: sales@kosnic.com

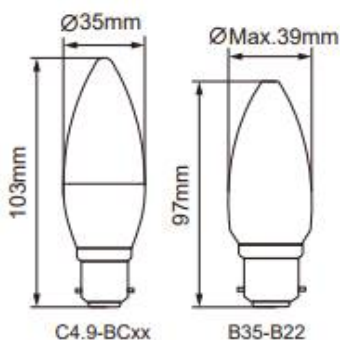
Kosnic.com

Reon Candle

08115 C4.9-BC27

Overview

The Classic shaped Candle from Kosnic is a selected line of energy saving retrofit LED lamps. Reliable, affordable and easy to install.



IP20



General Information

Ambient Temperature Range (°C)	-20°C to 40°C
IP Rating	IP20
Nominal Lifetime (h)	15,000 h
Protection Rating	Class II
Installation Area	Internal



Kosnic Lighting



KosnicUK



KosnicLightingUK



KosnicUK

Tel: 01635 523 713

Email: sales@kosnic.com

Kosnic.com