

Reon LED Dimmable Golf

08112 G05D-BC27

Golf 5W Dimmable BC (B22) 2700K

- Save energy by up to 90%
- Choices of 2700K, 4000K
- Replacement for incandescent golf lamps
- Long life of 15,000h



Overview

The Classic shaped Golf from Kosnic is a selected line of energy saving retrofit LED lamps. Reliable, affordable and easy to install.



General Information

Ambient Temperature Range (°C)	-20°C to 40°C
IP Rating	IP20
Nominal Lifetime (h)	15,000 h
Protection Rating	Class II
Installation Area	Internal

Technical Summary

Product Code	G05D-BC27
Input Voltage Supply	220-240Vac 50/60Hz
Default Power	5 W
Power Factor	0.90
Default CCT	2,700 K
SDCM of CCT	<6
CRI	80
Dimmable	Y
Flicker	<1%
Lumens Output Maximum	470 lm
Maximum Efficiency	94 lm/W
Nominal Lifetime	15,000 h
L80B10 Lifetime	9,000 h
Weight	22g
Dimensions (L x W x D) (mm)	75xØ45



Kosnic Lighting



KosnicUK



KosnicLightingUK



KosnicUK

Tel: 01635 523 713

Email: sales@kosnic.com

Kosnic.com

Reon LED Dimmable Golf

08112 G05D-BC27

Overview

The Classic shaped Golf from Kosnic is a selected line of energy saving retrofit LED lamps. Reliable, affordable and easy to install.



General Information

Ambient Temperature Range (°C)	-20°C to 40°C
IP Rating	IP20
Nominal Lifetime (h)	15,000 h
Protection Rating	Class II
Installation Area	Internal

Technical	
Input Voltage Supply	220-240Vac 50/60Hz
Default Power	5 W
Power Factor	0.90
Default CCT	2,700 K
SDCM of CCT	<6
Flicker	<1%
Lumens Output Maximum	470 lm
Maximum Efficiency	94 lm/W
Nominal Lifetime	15,000 h
L80B10 Lifetime	9,000 h
Weight	22g
Dimensions (L x W x D) (mm)	75xØ45
CCT Words	Warm White
Ambient Temperature Range (°C)	-20°C to 40°C
Beam Angle - Lumi (°)	150
Blue Light Hazard	RG1
Glow wire temperature(°C)	650
Inrush Current (peak/duration) (A)	4.1A/200us
Installation Area	Internal
L70B50 Lifetime (h)	15,000 h
L90 Lifetime (h)	4,000 h
Maximum Current Draw (mA)	22 mA
Protection Rating	Class II
IP Rating	IP20

EPREL - Light Source (LS)	
CRI	80
Dimmable	Y
LS Anti-Glare Shield (Y/N)	N
LS Beam Angle correspondence (in 360°/120°/90°)	in 360°
LS Chromaticity Co-Ordinates (X)	0.458
LS Chromaticity Co-Ordinates (Y)	0.410
LS Colour Consistency in Mcadam Ellipses (Mains LED/OLED)	6
LS CRI (max)	84
LS CRI (min)	80
LS Depth (mm) - LS	45
LS Directional / Non Directional (DLS/NDLS)	NDLS
LS Displacement Factor	0.9
LS Energy Consumption in on-mode (kWh/1000H)	5
LS Energy Efficiency Class	F
LS Equivalent Power (W)	40
LS Flicker metric (pst LM) (x,x)	0.1
LS Height (mm) - LS	75
LS Light Source Cap Type (or other interface)	B22
LS Lighting Technology Used	LED
LS Lumen Maintenance Factor (x,xx)	0.93
LS Mains / Non-Mains (MLS/NMLS)	MLS
LS On-Mode Power (Pon) (W)	5
LS R9 CRI (LED/OLED)	1
LS Standby Power (Psb) (W)	0
LS Stroboscopic effect metric (SVM) (x,x)	0.1
LS Survival Factor (x,xx)	0.9



Kosnic Lighting



KosnicUK



KosnicLightingUK



KosnicUK

Tel: 01635 523 713

Email: sales@kosnic.com

Kosnic.com

Reon LED Dimmable Golf

08112 G05D-BC27

LS Width (mm) - LS	45
LS CCT (K)	2,700
LS Useful Luminous Flux (lm)	470 lm

Overview

The Classic shaped Golf from Kosnic is a selected line of energy saving retrofit LED lamps. Reliable, affordable and easy to install.



General Information

Ambient Temperature Range (°C)	-20°C to 40°C
IP Rating	IP20
Nominal Lifetime (h)	15,000 h
Protection Rating	Class II
Installation Area	Internal



Kosnic Lighting



KosnicUK



KosnicLightingUK



KosnicUK

Tel: 01635 523 713

Email: sales@kosnic.com

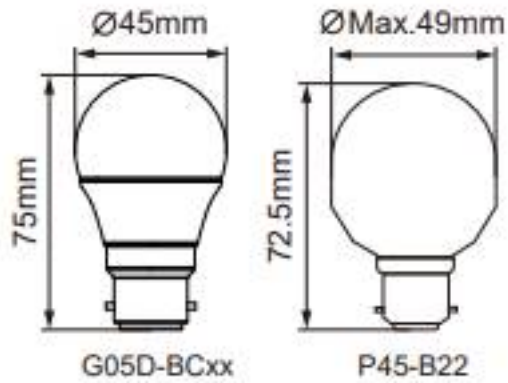
Kosnic.com

Reon LED Dimmable Golf

08112 G05D-BC27

Overview

The Classic shaped Golf from Kosnic is a selected line of energy saving retrofit LED lamps. Reliable, affordable and easy to install.



IP20



General Information

Ambient Temperature Range (°C)	-20°C to 40°C
IP Rating	IP20
Nominal Lifetime (h)	15,000 h
Protection Rating	Class II
Installation Area	Internal



Kosnic Lighting



KosnicUK



KosnicLightingUK



KosnicUK

Tel: 01635 523 713

Email: sales@kosnic.com

Kosnic.com

Reon LED Dimmable Golf

08112 G05D-BC27

Overview

The Classic shaped Golf from Kosnic is a selected line of energy saving retrofit LED lamps. Reliable, affordable and easy to install.



General Information

Ambient Temperature Range (°C)	-20°C to 40°C
IP Rating	IP20
Nominal Lifetime (h)	15,000 h
Protection Rating	Class II
Installation Area	Internal



Kosnic Lighting



KosnicUK



KosnicLightingUK



KosnicUK

Tel: 01635 523 713

Email: sales@kosnic.com

Kosnic.com