

Reon LED Dimmable Golf

08111 G05D-ES27

Golf 5W Dimmable ES (E27) 2700K

- Save energy by up to 90%
- Choices of 2700K, 4000K
- Replacement for incandescent golf lamps
- Long life of 15,000h



Overview

The Classic shaped Golf from Kosnic is a selected line of energy saving retrofit LED lamps. Reliable, affordable and easy to install.

General Information

| | |
|--------------------------------|---------------|
| Ambient Temperature Range (°C) | -20°C to 40°C |
| IP Rating | IP20 |
| Nominal Lifetime (h) | 15,000 h |
| Protection Rating | Class II |
| Installation Area | Internal |

Technical Summary

| | |
|-----------------------------|--------------------|
| Product Code | G05D-ES27 |
| Input Voltage Supply | 220-240Vac 50/60Hz |
| Default Power | 5 W |
| Power Factor | 0.90 |
| Default CCT | 2,700 K |
| SDCM of CCT | <6 |
| CRI | 80 |
| Dimmable | Y |
| Flicker | <1% |
| Lumens Output Maximum | 470 lm |
| Maximum Efficiency | 94 lm/W |
| Nominal Lifetime | 15,000 h |
| L80B10 Lifetime | 9,000 h |
| Weight | 22g |
| Dimensions (L x W x D) (mm) | 77xØ45 |



Kosnic Lighting



KosnicUK



KosnicLightingUK



KosnicUK

Tel: 01635 523 713

Email: sales@kosnic.com

Kosnic.com

Reon LED Dimmable Golf

08111 G05D-ES27

Overview

The Classic shaped Golf from Kosnic is a selected line of energy saving retrofit LED lamps. Reliable, affordable and easy to install.



General Information

| | |
|--------------------------------|---------------|
| Ambient Temperature Range (°C) | -20°C to 40°C |
| IP Rating | IP20 |
| Nominal Lifetime (h) | 15,000 h |
| Protection Rating | Class II |
| Installation Area | Internal |

| Technical | |
|------------------------------------|--------------------|
| Input Voltage Supply | 220-240Vac 50/60Hz |
| Default Power | 5 W |
| Power Factor | 0.90 |
| Default CCT | 2,700 K |
| SDCM of CCT | <6 |
| Flicker | <1% |
| Lumens Output Maximum | 470 lm |
| Maximum Efficiency | 94 lm/W |
| Nominal Lifetime | 15,000 h |
| L80B10 Lifetime | 9,000 h |
| Weight | 22g |
| Dimensions (L x W x D) (mm) | 77xØ45 |
| CCT Words | Warm White |
| Ambient Temperature Range (°C) | -20°C to 40°C |
| Beam Angle - Lumi (°) | 150 |
| Blue Light Hazard | RG1 |
| Glow wire temperature(°C) | 650 |
| Inrush Current (peak/duration) (A) | 4.1A/200us |
| Installation Area | Internal |
| L70B50 Lifetime (h) | 15,000 h |
| L90 Lifetime (h) | 4,000 h |
| Maximum Current Draw (mA) | 22 mA |
| Protection Rating | Class II |
| IP Rating | IP20 |

| EPREL - Light Source (LS) | |
|---|---------|
| CRI | 80 |
| Dimmable | Y |
| LS Anti-Glare Shield (Y/N) | N |
| LS Beam Angle correspondence (in 360°/120°/90°) | in 360° |
| LS Chromaticity Co-Ordinates (X) | 0.458 |
| LS Chromaticity Co-Ordinates (Y) | 0.410 |
| LS Colour Consistency in Mcadam Ellipses (Mains LED/OLED) | 6 |
| LS CRI (max) | 84 |
| LS CRI (min) | 80 |
| LS Depth (mm) - LS | 45 |
| LS Directional / Non Directional (DLS/NDLS) | NDLS |
| LS Displacement Factor | 0.9 |
| LS Energy Consumption in on-mode (kWh/1000H) | 5 |
| LS Energy Efficiency Class | F |
| LS Equivalent Power (W) | 40 |
| LS Flicker metric (pst LM) (x,x) | 0.1 |
| LS Height (mm) - LS | 77 |
| LS Light Source Cap Type (or other interface) | E27 |
| LS Lighting Technology Used | LED |
| LS Lumen Maintenance Factor (x,xx) | 0.93 |
| LS Mains / Non-Mains (MLS/NMLS) | MLS |
| LS On-Mode Power (Pon) (W) | 5 |
| LS R9 CRI (LED/OLED) | 1 |
| LS Standby Power (Psb) (W) | 0 |
| LS Stroboscopic effect metric (SVM) (x,x) | 0.1 |
| LS Survival Factor (x,xx) | 0.9 |



Kosnic Lighting



KosnicUK



KosnicLightingUK



KosnicUK

Tel: 01635 523 713

Email: sales@kosnic.com

Kosnic.com

Reon LED Dimmable Golf

08111 G05D-ES27

| | |
|------------------------------|--------|
| LS Width (mm) - LS | 45 |
| LS CCT (K) | 2,700 |
| LS Useful Luminous Flux (lm) | 470 lm |

Overview

The Classic shaped Golf from Kosnic is a selected line of energy saving retrofit LED lamps. Reliable, affordable and easy to install.



General Information

| | |
|--------------------------------|---------------|
| Ambient Temperature Range (°C) | -20°C to 40°C |
| IP Rating | IP20 |
| Nominal Lifetime (h) | 15,000 h |
| Protection Rating | Class II |
| Installation Area | Internal |



Kosnic Lighting



KosnicUK



KosnicLightingUK



KosnicUK

Tel: 01635 523 713

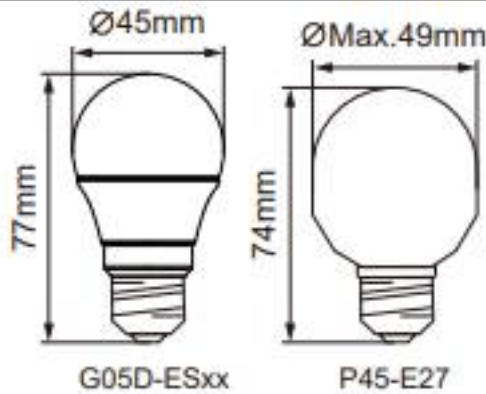
Email: sales@kosnic.com

Kosnic.com

08111 G05D-ES27

Overview

The Classic shaped Golf from Kosnic is a selected line of energy saving retrofit LED lamps. Reliable, affordable and easy to install.



IP20



General Information

| | |
|--------------------------------|---------------|
| Ambient Temperature Range (°C) | -20°C to 40°C |
| IP Rating | IP20 |
| Nominal Lifetime (h) | 15,000 h |
| Protection Rating | Class II |
| Installation Area | Internal |



Kosnic Lighting



KosnicUK



KosnicLightingUK



KosnicUK

Tel: 01635 523 713

Email: sales@kosnic.com

Kosnic.com

Reon LED Dimmable Golf

08111 G05D-ES27

Overview

The Classic shaped Golf from Kosnic is a selected line of energy saving retrofit LED lamps. Reliable, affordable and easy to install.



General Information

| | |
|--------------------------------|---------------|
| Ambient Temperature Range (°C) | -20°C to 40°C |
| IP Rating | IP20 |
| Nominal Lifetime (h) | 15,000 h |
| Protection Rating | Class II |
| Installation Area | Internal |



Kosnic Lighting



KosnicUK



KosnicLightingUK



KosnicUK

Tel: 01635 523 713

Email: sales@kosnic.com

Kosnic.com