



Enclosed Power Terminals

Specification Sheet

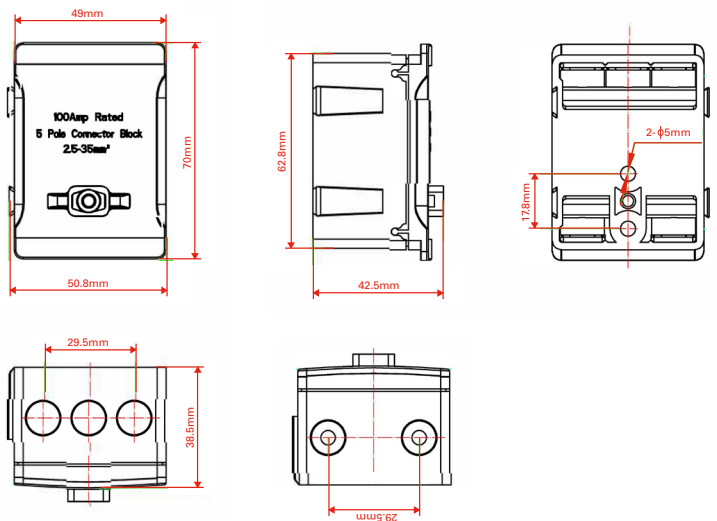
Part No: EP-DNO5X-XXX



Part Number	Colour	Description
EP-DNO5P-BRO	Brown	L1, 100A Enclosed 5 Way Power Terminal
EP-DNO5N-BLU	Blue	Neutral, 100A Enclosed 5 Way Power Terminal
EP-DNO5E-GRN	Green	Earth, 100A Enclosed 5 Way Power Terminal
EP-DNO5B-BLA	Black	L2, 100A Enclosed 5 Way Power Terminal
EP-DNO5G-GRY	Grey	L3, 100A Enclosed 5 Way Power Terminal



Dimensions



Technical Specification

Specification	
Rating	100A
Colour	Brown, Black, Grey, Blue (N), Green (PE)
IP Rating	IP20
Sealable	Single Point
Material	Polybutylene Terephthalate (PBT) 960C
Standard	IEC 60998-1 & 60998-2-1