

Installation Instructions

Emergency Hanging Sign, Recessed 3W LED

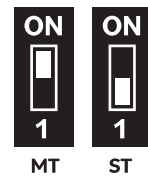
Selectable Emergency Function **MANUAL-TEST** - **SELF-TEST**



Please read these instructions carefully before installation
Leave a copy for the user/maintenance engineer for future reference

Important Safety Information

This product is factory pre-set to operate in **MANUAL-TEST** mode. Selector switch is set to position **ON**
For **SELF-TEST** operation mode, the selector switch must be set to position **1** before installation
The selector switch is located inside the product on the main PCB



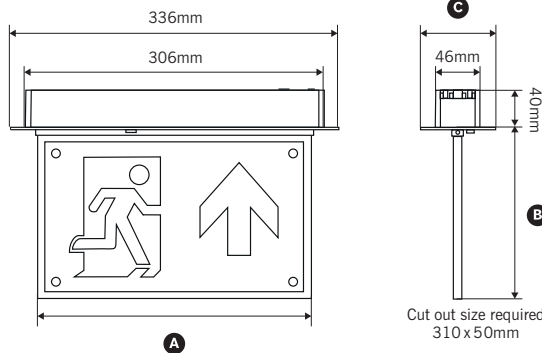
Refer to the Test Record document for MANUAL-TEST and SELF-TEST functions and testing procedures

- It is recommended that this luminaire is installed, inspected and maintained by a qualified electrician.
- Installation should be carried out in accordance with the latest edition of the IET Wiring Regulations (BS 7671) and the latest Building Regulations. If in doubt, consult a qualified electrician.
- These products are designed for connection to a 220-240V~50/60Hz supply.
- Before commencing any installation or maintenance work, ensure that the electrical mains supply is isolated and circuit fuses are removed or switched off.
- All electrical connections must be tight with no loose strands including factory made connections.
- Ensure that there is adequate free air ventilation around the luminaire.
- Please note the IP rating of this luminaire when deciding the location for installation.
- This luminaire is suitable for indoor use only.
- This is a Class II construction luminaire.
- This luminaire is suitable for use in ambient temperatures of 0°C to +50°C.
- MCBs may require to be upgraded to allow for increased initial inrush current.
- Do not carry out any insulation resistance tests with the luminaire connected to the circuit.
- The LED light source fitted in this product is non replaceable.

Emergency Hanging Sign, Recessed

Electrical Classification

Class II



LXEHS/R/S

Accessories



LXEHS/L/AU (2pcs Supplied)



LXEHS/L/AD (2pcs)



LXEHS/L/ALR (2pcs)

Technical Specifications

Part No.	Description	Wattage	Measurement A x B x C	Viewing Distance	IP Rating	CRI	Class Rating	Colour Temperature
LXEHS/R/S	Emergency Hanging Sign Recessed LED	3W	300x168x76mm	24m	IP20	>80	Class II	6000K
Accessories								
LXEHS/L/AU	Legend Arrow Up	-	300x155x0.5mm	24m	PVC ISO pictogram - Direction Up (2pcs)			
LXEHS/L/AD	Legend Arrow Down	-	300x155x0.5mm	24m	PVC ISO pictogram - Direction Down (2pcs)			
LXEHS/L/ALR	Legend Arrow Left/Right	-	300x155x0.5mm	24m	PVC ISO pictogram - Direction Left/Right (2pcs)			

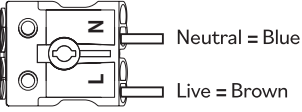
Important Installation Information

Select a suitable mounting position and use the correct fixings for the type of surface. Ensure that there is adequate free air ventilation around the luminaire at all times. Do not install this product onto damp or newly plastered walls or ceilings. Always switch off and isolate the mains power supply before commencing installation.

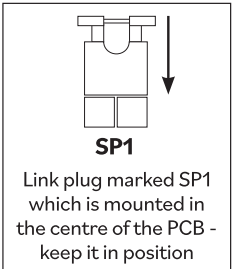
1. Cut out a suitable aperture in the ceiling ensuring that it does not infringe with electrical cables, service pipes or ceiling joists. Recommended cut out dimensions: 310mm x 50mm
2. Remove the two screws located on the rear of the base plate to access the body of the luminaire.
3. Feed the mains cable through the cable entry point at the rear of the base plate.
4. Connect the mains cable to the terminal block as shown in **Fig.1** as per the function mode required. Ensure that the correct polarity is observed.
5. Connect the emergency battery pack lead to the PCB by connecting the socket to the plug marked 'BATT' on the PCB ensuring correct orientation.
6. Complete the installation date on the label adjacent to the battery pack.
7. Refit the body of the luminaire to the base plate and secure using the two screws.
8. Push both spring mounting clips upwards and fit the luminaire into the ceiling aperture. The spring clips will locate onto the rear of the ceiling to provide a secure installation.
9. Ensure that the correct directional legend panel is fitted to the hanging blade to suit the application.
10. Reconnect the mains power supply, test for satisfactory operation and check that the green LED charge indicator illuminates.
11. The batteries should be charged for a minimum of 24 hours before carrying out a full discharge test to check that they are charging correctly and that the maintained 3 hour duration is being achieved.
12. The emergency luminaire test record should be completed as required and left with the end user.

Fig.1 Terminations

Maintained (3M)
Luminaire always on
Emergency (link plug in)

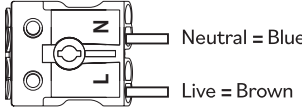


Neutral = Blue
Live = Brown

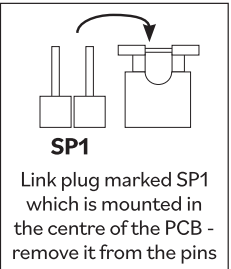


SP1
Link plug marked SP1 which is mounted in the centre of the PCB - keep it in position

Non-maintained (3NM)
Luminaire always off
Emergency (link plug out)



Neutral = Blue
Live = Brown



SP1
Link plug marked SP1 which is mounted in the centre of the PCB - remove it from the pins

Accessories

ISO Pictogram Legends

This luminaire is supplied with a pictogram legend panel which has the directional arrow in the upward position.

Additional options are available as accessories to provide directional arrows for down, right and left orientation. Legend panel kits are supplied in two pieces so that they can be viewed clearly from both sides. Fit the legends into the hanging blade in the correct orientation to suit the application.

To change the legend:

1. Remove the four screw clips from the corners of the hanging blade to release the fitted legend panels.
2. Select the required optional legend panels and place one on the front and one on the rear of the hanging blade.
3. Remove the protective film from the legend panels.
4. Secure the legend panels by replacing the four screw clips into the corners of the hanging blade.

Test Function Button

1. When the mains supply is switched on and the green LED charge indicator is on, press the test button on the front housing to check the function.
2. The green LED charge indicator will go off and the luminaire will operate in emergency mode.
3. After releasing the test button the green LED charge indicator will illuminate and the luminaire will return to previous operation.

Emergency Luminaire Connection and Testing

1. The Emergency luminaire requires an unswitched live supply to ensure that the batteries remain charged.
2. Ensure that the battery cells supply cable is connected to the Emergency module before mains power is restored.
3. Once installed, the batteries must be charged for a minimum of 24 hours before carrying out a full discharge and commissioning test to check that they are charging correctly and that the maintained 3-hour discharge duration is being achieved. The date should be noted on the battery. The Green LED Indicates that the batteries are charging.
4. Emergency luminaires should be routinely inspected and tested in accordance with current **BS 5266** guidelines. Refer to **BS 5266 & BS EN 50172** for full Emergency Lighting requirements and testing procedures
5. A log report must be completed and kept for the periodic test procedure. A copy of the Emergency test record sheet is included with this product. Further copies can be requested at sales@luxna.co.uk
6. A completed copy of the Emergency test record sheet must accompany any product returned to the manufacturer.

Batteries: The battery cells inside an emergency product are a consumable replaceable item. The batteries have a normal operating designed service life of 4 years and must be replaced in a timely manner to ensure that the integrity of the emergency lighting system is maintained. The battery cells actual service life can be shortened by several variable factors including (but not limited to): Type of installation environment, Room temperature, Number of charge/discharge cycles, power supply interruptions etc. The product should be tested and maintained regularly according to the details within the instruction manual. Should the battery cells fail to provide the minimum rated discharge duration of 3 hours at any time during the products service life, they must be replaced. **Emergency luminaires must not be installed in areas where the ambient area temperature is above or below the recommended operating temperature range 0°C to +50°C**

Warranty: This product is protected by guarantee in the UK and EU for a period of 5 years warranty from the date of purchase against any defects in materials or workmanship. Should this product fail during the warranty period it will be repaired or replaced with the same or equivalent product free of charge, subject to providing the original receipt/invoice or proof of the original date of purchase and return of the faulty unit. If in our sole discretion, we are unable to repair or replace a defective product, we will refund the purchase price of the product. The warranty is invalid if in our judgment the product fails due to incorrect installation not conforming to our product instructions or installation within an improper working environment. The warranty will not apply if the product fails due to damage in storage, shipment, accident or misuse. Modification to the product in any way or removal of the batch number will void the warranty. Luxna Lighting does not accept responsibility for any installation, labour or travel costs which may be associated with the replacement or return of any faulty products. Our maximum liability under the terms of this warranty is limited to the purchase price of the product. Your statutory rights are not affected. Luxna Lighting reserves the right to alter product specifications without prior notification. Terms and conditions are also subject to change without prior notice.