



Design & Manufacturer of
Stevie EV Chargers



Stevie 1D - IWS 7.4kW In-Wall EV Charge Point with LCD Screen

Mobile App - Smart control
charging using green energy

Patented* In-Wall Charge Points:

- Slim profile provides better use of limited space.
- Smart front of house appearance - Choice of coloured fascias to suit most properties. Pearl White supplied as standard.
- In-Wall design allows for cables to be hidden within the walls - Better security, and complementary exterior appearance.

Display Screen:

- Displays the chargers status back to the user.
- Gives the user a second confirmation that the Stevie® charger point will charge as planned, ensuring that the car is ready to drive away at the intended time.

Tilted Display Screen:

- The Stevie® charger point has been designed so that the LCD screen tilts at an angle that allows the user to easily see the display without having to bend down.

Coloured Fascias:

- Offers a choice of colour to the unit to complement the property's external appearance.
- UV shielded plastics - Provides best protection against sunlight bleaching.

Personalisation Window:

- Allows the user to add their property name in the personalisation window so that others have no doubt who the charger point belongs to.
- Inside fascia card placement keeps the personalisation card fresh, professional looking and provides protection from the elements.
- The personalisation window is illuminated.
- Gives total choice of personalisation to owner, user or installer.



Features

The Electric Vehicles Regulations 2021:

- Stevie Chargers are fully compliant with The Electric Vehicles (Smart Charge Points) Regulations 2021 and the December 2022 addition.
- Most importantly giving improved cyber and unit security and up-to-date peace of mind.

Single-Phase 7.4kW Power:

- Single-phase - maximum of 7.4kW power charging to the car.

RFID Tag:

- Secure key to override the App for instant quick boost charge.
- Instant cable lock function. Turns a socketed unit into a tethered cable unit and prevents cable theft.

PEN-Fault Protection Device:

- Ease of installation - Built-in PEN-fault conductor technology to eliminate the need for Earth Rod installation in most cases.

Smart Energy Ready:

- Allows the user to decide on the energy source at any time - Mains/Renewable (solar/wind**).

Any Car Using Type 2 Connectors:

- 95% (and growing) of the EV vehicle charging market.

Light On Button:

- Touch sensitive button allows illumination of the display, socket connection area, and personalisation window at night with auto timed turn off to prevent light pollution.

OZEV Funding Approved:

The OZEV grant (also known as the Electric Vehicle Homecharge Scheme or 'EVHS') offers EV drivers 75% off the total cost of their new smart home charger, up to a maximum £350 (inc VAT).

Landlords buying charge points for rental properties can apply for funding for up to two charge points per household. Maximum of 200 grants for residential properties and 100 grants for commercial properties per financial year.

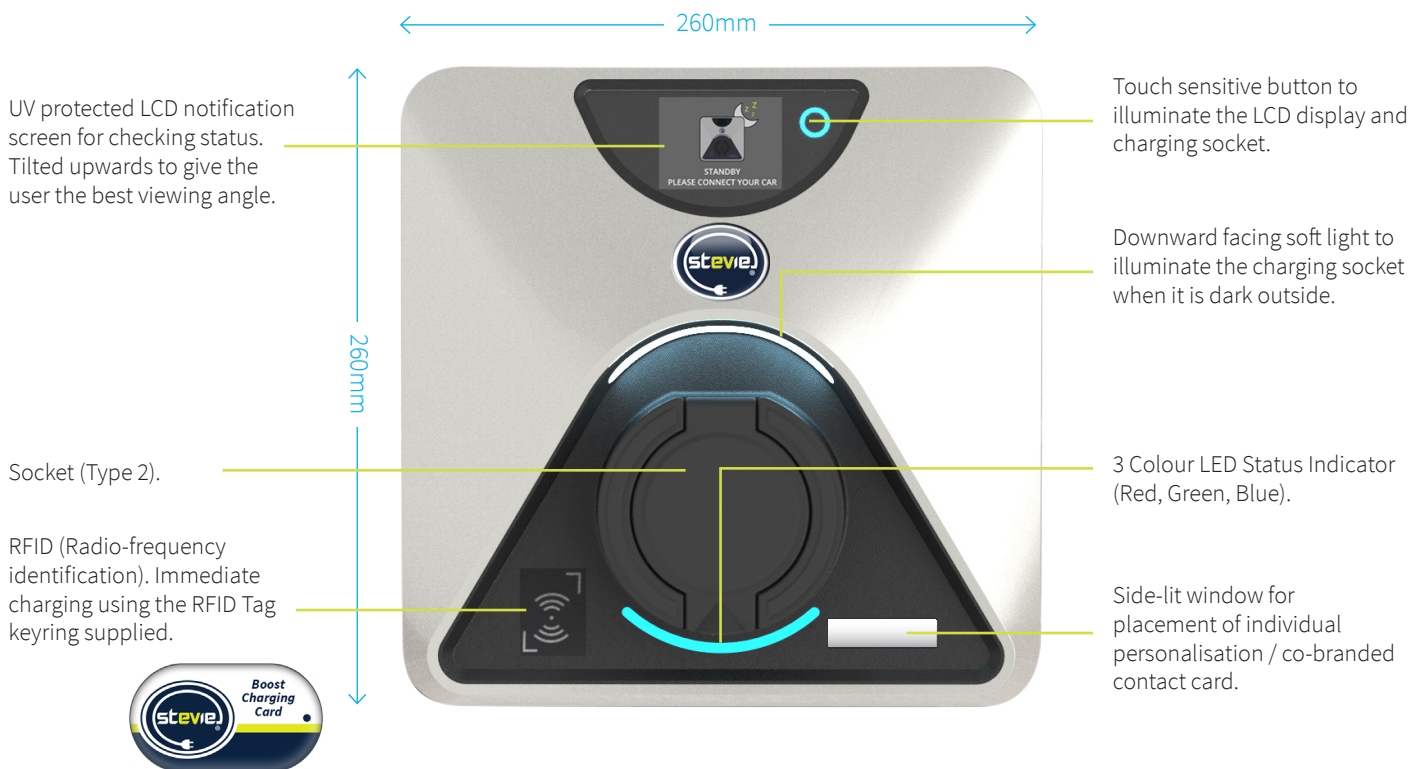
Renters/tenants may also apply.

To qualify for funding, you must have the following:

- Off-street parking (e.g. a driveway or a garage)
- An approved pavement channel fitted
- The charger must use smart technology (e.g. Monta App)
- The charger must be installed by an OZEV approved installer.

JPL EV Ltd (Stevie Chargers) is an authorised manufacturer of compliant EV charge points.

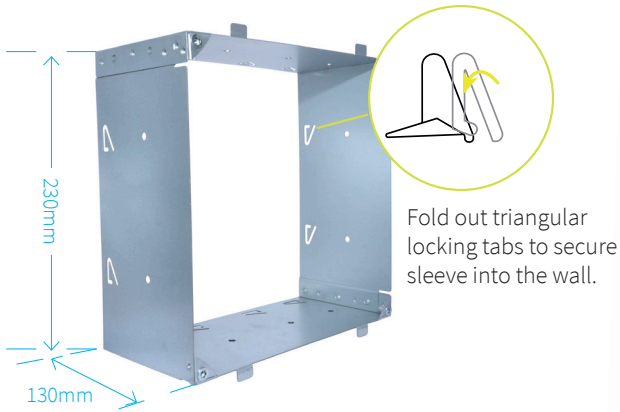
*Patent Pending GB 2209006.2
** If available.



Stevie® Charge Points offers new home developers a stylish and compact new EV charging solution which effectively gives the developers land back with its low 52mm profile. Carefully selected coloured fascias ensure the Stevie Charge Point is a subtle new feature on all new homes, while also helping developers meet The Electric Vehicles Smart Charge Point regulations and future-proof their new builds.

In-Wall Option

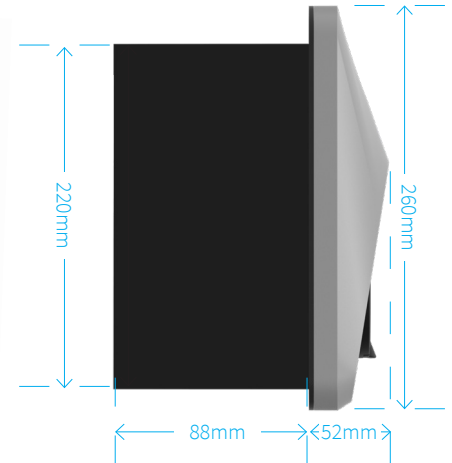
The patented* design enables the **Stevie® Charge Point** to be recessed into the fabric of the building (hole size 235mm x 235mm ≈ one standard house brick wide by three standard house bricks high) to give a sleek looking addition to the property. Quick and easy installation and a space saving benefit for any new build - Giving back irreplaceable land/space.



Galvanised steel sleeve for recessed installation.



Toughened plastic box to house electrical components



Mobile App

Smart control charging using green energy

The partnership between JPL EV and Monta ensures owners of the Stevie Charge Point will have access to Monta's 'smart charging' product feature, automatically optimising all electric vehicle's charging schedule according to a number of different factors, including when energy is cheapest and/or greenest.

- Mobile app controlled charging
- Choose and set a charging completion time
- Automatic off-peak hours charging
- Smart scheduled charging feature
- Compatible with all EVs & PHEVs
- Energy tariff driven charging
- Review statistics and analytical data
- Earn rewards for smart charging
- **Lock Your Charger** feature
- Remote Software Locking - Give family and friends access to use your charge point even when you're not there
- Live charge session notifications
- Immediate charge boost button (RFID)
- Understand your charging costs
- Use your surplus local generated solar or wind energy to charge your electric car
- Sync with your solar power panel setup (if available)



Stevie 1D - IWS Technical Data

Overview - Stevie 1D - IWS

| |
|--|
| In-Wall Unit with LCD Display |
| LED - Status Indicator |
| RFID - Quick Start |
| WiFi 4 - 2.4GHz |
| 4G GSM SIM and LAN (Optional) |
| Load Balancing Management (CT clamp with 5m wire included) |
| LCD side lit personal name card/company branding card |
| PEN-Fault Protection device - No earth rod required |
| Reset Button |
| Electronic Lock (Type 2 Connector) |
| OCPP 1.6J compliant |
| 2 x RFID Tag Keyrings included |
| Charger Connector - Type 2 socket |
| Material - ABS + PC |
| Dimensions (W x L x D) 260 x 260 x 52mm |
| SKU: 783-004-001 |
| EAN: 5060969680526 |

Input

| |
|---|
| Power Supply - 1P+N+PE |
| Rated Voltage - AC 220~240V50/60Hz |
| Rated Current (Adjustable) - Max 32A(16A,13A,10A) |
| Renewable energy (solar/wind) compatible |

Output

| |
|---|
| Output Voltage - 220~240V AC |
| Max Current (Adjustable) - 32A(16A,13A,10A) |
| Rated Power (Single-phase) - 7.4kW(MAX) |

Fascia and Cable Holder Colour Options

Personalise your Stevie® by adding a UV shielded coloured fascia and cable holder

All Stevie chargers come fitted with a Pearl White Fascia. Optional coloured fascia covers and cable holders are available to purchase separately in a range of colours to suit your property. Pearl White, Almond White, Brick Red, Metal Blue, Sage Green, Anthracite Grey and Black.



For more information please contact one of our sales team at sales@steviechargers.com

JPL EV Limited, Units 1 & 2, Church Close Business Park, Todber, Sturminster Newton, Dorset DT10 1JH
Tel: +44 (0)1258 822514

www.steviechargers.com

Safety

| |
|--|
| Water Ingress Protection - IP54 |
| Impact Protection IK08 |
| Over current Protection on PCB |
| Residual Current Protection (AC30mA, DC6mA) |
| Ground Protection |
| Surge Protection |
| Over/Under Voltage Protection |
| Over Heating Protection |
| Certification - CE/UKCA |
| EMC Compliance: IEC61851-21-2 : 2018; EN IEC61851-21-2:2021; BS EN IEC 61851-21-2:2021 |
| Safety Compliance: Low Voltage Directive (LVD) 2014/35/EU, EN 60950-1:2006 + A11 + A1, EN 60950-22:2006 |
| EV Charging Compliance: Fully compliant with Amendment 1 of BS7671:2018. EN 61851-1:2019, EN 61851-21:2002, EN 61851-22:2002, IEC 62196-1, IEC 61851-1, BS 7671:2018 + A1:2020 |

Environment

| |
|--|
| Work Temperature -25°C~50°C* |
| * When temperature exceeds 70°C, the charging current will be limited to 8A. If over 80°C the charger will stop working. |
| Work Humidity - Up to 95% |
| Work Altitude <2000m |

Warranty

JPL EV Ltd, grants 3 years Manufacturer's Warranty from the date of installation, as the manufacturer of this product. Included in the warranty for total peace of mind is any on or off site assistance, repairs and replacement parts.

