

Securefast

ACP320/G Call Point

Fitting call point

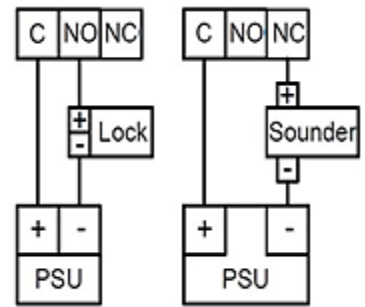


Lift front of unit up from bottom and slide to one side to open the unit



For semi-flush fitting insert key as shown and twist clockwise in slot to remove call point from back plate.

Wiring Diagram



Operation of call point



Protective Perspex cover to prevent accidental activation



Lift Perspex flap and *Press Here*

Reset call point



Insert Key as shown and push down to reset.



Securefast

ACP320/G Call Point

Fitting call point

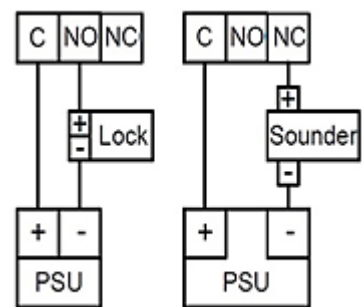


Lift front of unit up from bottom and slide to one side to open the unit



For semi-flush fitting insert key as shown and twist clockwise in slot to remove call point from back plate.

Wiring Diagram



Operation of call point



Protective Perspex cover to prevent accidental activation



Lift Perspex flap and *Press Here*

Reset call point



Insert Key as shown and push down to reset.

